



[DBPR HOME](#) | [ABOUT DBPR](#) | [DBPR DIVISIONS](#) | [CONTACT DBPR](#)

[BCIS Home](#) | [Log In](#) | [User Registration](#) | [Hot Topics](#) | [Submit Surcharge](#) | [Stats & Facts](#) | [Publications](#) | [Contact Us](#) | [BCIS Site Map](#) | [Links](#) | [Search](#)



Product Approval
USER: Public User

[Product Approval Menu](#) > [Product or Application Search](#) > [Application List](#) > **Application Detail**

OFFICE OF THE SECRETARY

FL #	FL19092-R6								
Application Type	Revision								
Code Version	2023								
Application Status	Approved								
Comments									
Archived	<input type="checkbox"/>								
Product Manufacturer	Mr-Glass Doors & Windows Manufacturing, LLC								
Address/Phone/Email	8051 NW 79th Place Medley, FL 33166 (305) 470-8284 ulises@mrglasswindows.com								
Authorized Signature	Ulises Senaris ulises@mrglasswindows.com								
Technical Representative	Augusto Arias								
Address/Phone/Email	8120 NW 84th St Medley, FL 33166 (305) 470-8284 aarias@mrglasswindows.com								
Quality Assurance Representative									
Address/Phone/Email									
Category	Exterior Doors								
Subcategory	Sliding Exterior Door Assemblies								
Compliance Method	Evaluation Report from a Florida Registered Architect or a Licensed Florida Professional Engineer <input type="checkbox"/> Evaluation Report - Hardcopy Received								
Florida Engineer or Architect Name who developed the Evaluation Report	Jalal Farooq								
Florida License	PE-81223								
Quality Assurance Entity	Keystone Certifications, Inc.								
Quality Assurance Contract Expiration Date	08/27/2025								
Validated By	Abel Carrasco, PE <input checked="" type="checkbox"/> Validation Checklist - Hardcopy Received								
Certificate of Independence	FL19092_R6_COI_SS - Certificate of Independence 2023.pdf								
Referenced Standard and Year (of Standard)	<table border="0"> <thead> <tr> <th>Standard</th> <th>Year</th> </tr> </thead> <tbody> <tr> <td>TAS 201</td> <td>1994</td> </tr> <tr> <td>TAS 202</td> <td>1994</td> </tr> <tr> <td>TAS 203</td> <td>1994</td> </tr> </tbody> </table>	Standard	Year	TAS 201	1994	TAS 202	1994	TAS 203	1994
Standard	Year								
TAS 201	1994								
TAS 202	1994								
TAS 203	1994								
Equivalence of Product Standards Certified By									
Sections from the Code									

Product Approval Method Method 1 Option D

Date Submitted 07/25/2023
 Date Validated 07/26/2023
 Date Pending FBC Approval 07/27/2023
 Date Approved 10/17/2023

Summary of Products

FL #	Model, Number or Name	Description
19092.1	MG-1000 Aluminum Sliding Glass Door	Large missile impact resistant aluminum sliding glass door.
Limits of Use Approved for use in HVHZ: Yes Approved for use outside HVHZ: Yes Impact Resistant: Yes Design Pressure: +120/-140 Other: See installation drawing W15-83 for span vs load combinations and installation details.		Installation Instructions FL19092_R6_II_SS - MG-1000 Alum SGD (LMI)-DWG W15-83 (2023).pdf Verified By: Jalal Farooq PE #81223 Created by Independent Third Party: Yes Evaluation Reports FL19092_R6_AE_SS - MG-1000 Alum SGD (LMI)-PAE 2023.pdf Created by Independent Third Party: Yes
19092.2	MG-1000 Aluminum Sliding Glass Door	Small missile impact resistant aluminum sliding glass door.
Limits of Use Approved for use in HVHZ: Yes Approved for use outside HVHZ: Yes Impact Resistant: Yes Design Pressure: +120/-140 Other: See installation drawing W15-103 for span vs load combinations and installation details.		Installation Instructions FL19092_R6_II_SS - MG-1000 Alum SGD (SMI)-DWG W15-103 (2023).pdf Verified By: Jalal Farooq PE 81223 Created by Independent Third Party: Yes Evaluation Reports FL19092_R6_AE_SS - MG-1000 Alum SGD (SMI)-PAE 2023.pdf Created by Independent Third Party: Yes

[Back](#) [Next](#)

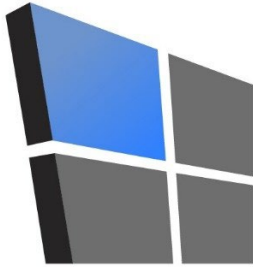
Contact Us :: 2601 Blair Stone Road, Tallahassee FL 32399 Phone: 850-487-1824

The State of Florida is an AA/EEO employer. [Copyright 2007-2013 State of Florida.](#) :: [Privacy Statement](#) :: [Accessibility Statement](#) :: [Refund Statement](#)

Under Florida law, email addresses are public records. If you do not want your e-mail address released in response to a public-records request, do not send electronic mail to this entity. Instead, contact the office by phone or by traditional mail. If you have any questions, please contact 850.487.1395. *Pursuant to Section 455.275(1), Florida Statutes, effective October 1, 2012, licensees licensed under Chapter 455, F.S. must provide the Department with an email address if they have one. The emails provided may be used for official communication with the licensee. However email addresses are public record. If you do not wish to supply a personal address, please provide the Department with an email address which can be made available to the public. To determine if you are a licensee under Chapter 455, F.S., please click [here](#).

Product Approval Accepts:





AL-FAROOQ CORPORATION

CONSULTING ENGINEERS & PRODUCT DEVELOPMENT

January 23, 2023

Product Approval Administrator
Building Codes & Standards Section
Department of Business & Professional Regulations
1940 North Monroe Street, Suite 90
Tallahassee, FL 32399-2100

To whom it may concern,

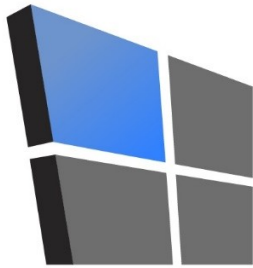
As the design engineer retained to prepare the product approval(s) associated with this letter as shown below on this same web page, I do hereby declare that I do not have and will not have any financial interest in any company manufacturing or distributing the referenced product(s), nor do I have or will have any financial interest with any other entity involved in the approval process of the referenced product(s).

Sincerely,



Jalal Farooq, P.E.
CFO

Sealed: 1/23/2023



AL-FAROOQ CORPORATION

CONSULTING ENGINEERS & PRODUCT DEVELOPMENT

PRODUCT APPROVAL EVALUATION RULE CHAPTER #61G20-3 • METHOD 1 OPTION D

FL 19092

Date: 07/24/2023

Detailed Product Description:

Manufacturer: MR-GLASS DOORS & WINDOWS MANUFACTURING LLC.

Manufacturer Address: 8051 NW 79th PLACE, MEDLEY, FL 33166

Model Name: MG-1000 ALUMINUM SLIDING GLASS DOOR

Maximum Load: +120 PSF, -140 PSF (Large Missile Impact)

Installation Drawings # W15-83

This product complies with the High Velocity Hurricane Zone (HVHZ) testing requirements.					
For maximum sizes, combination of span vs loads and anchor type refer to installation drawings.					
Comparative analysis used <input checked="" type="checkbox"/> Yes <input type="checkbox"/> No					
Mandatory Tests (Tested in accordance with AAMA 101/I.S.2/NAFS/TAS-202)					
TEST	DESCRIPTION	TEST LOCATION	TEST REPORT DATE	TEST REPORT #	Test Sealed by
ASTM E283	Air Infiltration Leakage	Fenestration Testing Laboratory	10/23/2015	FTL-8590	Idalmis Ortega, P.E.
			10/23/2015	FTL-8591	Idalmis Ortega, P.E.
			10/25/2015	FTL-8594	Idalmis Ortega, P.E.
		Hurricane Engineering & Testing Inc.	05/21/2020	HETI-20-8058	Rafael E. Droz-Seda, P.E.
			05/21/2020	HETI-20-8068	Rafael E. Droz-Seda, P.E.
			01/12/2021	HETI-20-8102	Rafael E. Droz-Seda, P.E.
12/20/2022	HETI-22-7283	Dr. Ram Tewari, P.E.			
ASTM E331 OR ASTM 547 & TAS 202	Water Penetration	Fenestration Testing Laboratory	10/23/2015	FTL-8590	Idalmis Ortega, P.E.
			10/23/2015	FTL-8591	Idalmis Ortega, P.E.
			10/25/2015	FTL-8594	Idalmis Ortega, P.E.
		Hurricane Engineering & Testing Inc.	05/21/2020	HETI-20-8058	Rafael E. Droz-Seda, P.E.
			05/21/2020	HETI-20-8068	Rafael E. Droz-Seda, P.E.
			01/12/2021	HETI-20-8102	Rafael E. Droz-Seda, P.E.
12/20/2022	HETI-22-7283	Dr. Ram Tewari, P.E.			
ASTM E330 & TAS 202	Uniform Static Air Press.	Fenestration Testing Laboratory	10/23/2015	FTL-8590	Idalmis Ortega, P.E.
			10/23/2015	FTL-8591	Idalmis Ortega, P.E.
			10/25/2015	FTL-8594	Idalmis Ortega, P.E.
		Hurricane Engineering & Testing Inc.	05/21/2020	HETI-20-8058	Rafael E. Droz-Seda, P.E.
			05/21/2020	HETI-20-8068	Rafael E. Droz-Seda, P.E.
			01/12/2021	HETI-20-8102	Rafael E. Droz-Seda, P.E.
12/20/2022	HETI-22-7283	Dr. Ram Tewari, P.E.			
ASTM F842	Forced Entry	Fenestration Testing Laboratory	10/23/2015	FTL-8590	Idalmis Ortega, P.E.
			10/23/2015	FTL-8591	Idalmis Ortega, P.E.
			10/25/2015	FTL-8594	Idalmis Ortega, P.E.
		Hurricane Engineering & Testing Inc.	05/21/2020	HETI-20-8058	Rafael E. Droz-Seda, P.E.
			05/21/2020	HETI-20-8068	Rafael E. Droz-Seda, P.E.
			01/12/2021	HETI-20-8102	Rafael E. Droz-Seda, P.E.
12/20/2022	HETI-22-7283	Dr. Ram Tewari, P.E.			

Supplemental Tests (Tested in accordance with TAS-201 and TAS-203)

TEST	DESCRIPTION	TEST LOCATION	TEST REPORT DATE	TEST REPORT #	Test Sealed by
FBC 1626.2 TAS 201 & 203 ASTM E1886/1996 ANSI Z97.1	Large Missile Impact & Cyclic	Fenestration Testing Laboratory	10/23/2015	FTL-8590	Idalmis Ortega, P.E.
			10/23/2015	FTL-8592	Idalmis Ortega, P.E.
			10/23/2015	FTL-8596	Idalmis Ortega, P.E.
			10/23/2015	FTL-8593	Idalmis Ortega, P.E.
			10/23/2015	FTL-8591	Idalmis Ortega, P.E.
		Hurricane Engineering & Testing Inc.	05/21/2020	HETI-20-8058	Rafael E. Droz-Seda, P.E.
			05/21/2020	HETI-20-8068	Rafael E. Droz-Seda, P.E.
			01/12/2021	HETI-20-8102	Rafael E. Droz-Seda, P.E.
			12/20/2022	HETI-22-7283	Dr. Ram Tewari, P.E.

Under the limitations of the attached installation drawings, to the best of my knowledge and ability, the above product conforms to the requirements of the 2023 Florida Building Code.

Evaluation Report Engineer:

Jalal Farooq PE # 81223
Al-Farooq Corporation EB # 3538



Sealed: 7/24/2023

**SERIES MG-1000 (L.M.I.)
ALUMINUM SLIDING GLASS DOOR**

THIS PRODUCT HAS BEEN DESIGNED AND TESTED TO COMPLY WITH THE REQUIREMENTS OF THE 2020 (7TH EDITION)/2023 (8TH EDITION) FLORIDA BUILDING CODE INCLUDING HIGH VELOCITY HURRICANE ZONE (HVHZ).

1BY OR 2BY WOOD BUCKS & BUCK FASTENERS BY OTHERS, MUST BE DESIGNED AND INSTALLED ADEQUATELY TO TRANSFER APPLIED PRODUCT LOADS TO THE BUILDING STRUCTURE.

ANCHORS SHALL BE CORROSION RESISTANT, SPACED AS SHOWN ON DETAILS AND INSTALLED PER MANUF'S INSTRUCTIONS. SPECIFIED EMBEDMENT TO BASE MATERIAL SHALL BE BEYOND WALL DRESSING OR STUCCO.

A LOAD DURATION INCREASE IS USED IN DESIGN OF ANCHORS INTO WOOD ONLY.

ALL SHIMS TO BE HIGH IMPACT, NON-METALLIC AND NON-COMPRESSIBLE.

MATERIALS INCLUDING BUT NOT LIMITED TO STEEL/METAL SCREWS, THAT COME INTO CONTACT WITH OTHER DISSIMILAR MATERIALS SHALL MEET THE REQUIREMENTS OF THE 2020/2023 FLORIDA BLDG. CODE & ADOPTED STANDARDS.

THIS PRODUCT APPROVAL IS GENERIC AND DOES NOT PROVIDE INFORMATION FOR A SITE SPECIFIC PROJECT, i.e. LIFE SAFETY OF THIS PRODUCT, ADEQUACY OF STRUCTURE RECEIVING THIS PRODUCT AND SEALING AROUND OPENING FOR WATER INFILTRATION RESISTANCE ETC.

CONDITIONS NOT SHOWN IN THIS DRAWING ARE TO BE ANALYZED SEPARATELY, AND TO BE REVIEWED BY BUILDING OFFICIAL.

DESIGN LOADS SHOWN ARE BASED ON 'ALLOWABLE STRESS DESIGN (ASD)'.
MANUFACTURER'S LABEL SHALL BE LOCATED ON A READILY VISIBLE LOCATION IN ACCORDANCE WITH SECTION 1709.9.3 OF FLORIDA BUILDING CODE. LABELING TO COMPLY WITH SECTION 1709.9.2.

INSTRUCTIONS:

USE CHARTS AS FOLLOWS.

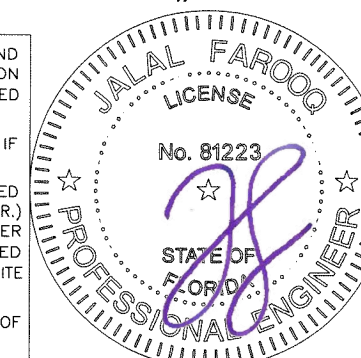
- STEP 1** DETERMINE DESIGN WIND LOAD REQUIREMENT BASED ON WIND VELOCITY, BLDG. HEIGHT, WIND ZONE USING APPLICABLE ASCE 7 STANDARD.
- STEP 2** DETERMINE DOOR CAPACITY FROM TABLE ON SHEETS 5 & 6 FOR THE GLASS TYPE USED.
- STEP 3** USING CHARTS ON SHEET 7 SELECT HEAD ANCHOR OPTION WITH DESIGN RATING MORE THAN DESIGN LOAD SPECIFIED IN STEP 1 ABOVE.
- STEP 4** THE LOWEST VALUE RESULTING FROM STEPS 2 AND 3 SHALL APPLY TO ENTIRE SYSTEM.
- STEP 5** FOR DOORS WITH UNANCHORED JAMBS, USING SHEET 12 DETERMINE MIN. AND MAX. GAP DIMENSIONS.

THESE DOORS ARE RATED FOR LARGE & SMALL MISSILE IMPACT. SHUTTERS ARE NOT REQUIRED.

Sealed: 7/24/2023

FL #19092

- A- CONTRACTOR TO BE RESPONSIBLE FOR THE SELECTION, PURCHASE AND INSTALLATION OF THIS PRODUCT BASED ON THIS PRODUCT EVALUATION PROVIDED HE/SHE DOES NOT DEVIATE FROM THE CONDITIONS DETAILED ON THIS DOCUMENT.
- B- THIS PRODUCT EVALUATION DOCUMENT WILL BE CONSIDERED INVALID IF ALTERED BY ANY MEANS.
- C- SITE SPECIFIC PROJECTS SHALL BE PREPARED BY A FLORIDA REGISTERED ENGINEER OR ARCHITECT WHICH WILL BECOME THE ENGINEER OF RECORD (E.O.R.) FOR THE PROJECT AND WHO WILL BE RESPONSIBLE FOR THE PROPER USE OF THE P.E.D. ENGINEER OF RECORD, ACTING AS A DELEGATED ENGINEER TO THE P.E.D. ENGINEER SHALL SUBMIT TO THIS LATTER THE SITE SPECIFIC DRAWINGS FOR REVIEW.
- D- THIS P.E.D. SHALL BEAR THE DATE AND ORIGINAL SEAL AND SIGNATURE OF THE PROFESSIONAL ENGINEER OF RECORD THAT PREPARED IT.



AL-FAROOQ CORPORATION
ENGINEERS & PRODUCT DEVELOPMENT
9360 SUNSET DRIVE, SUITE 220
MIAMI, FLORIDA 33173
TEL. (305) 264-8100 FAX. (305) 262-6978

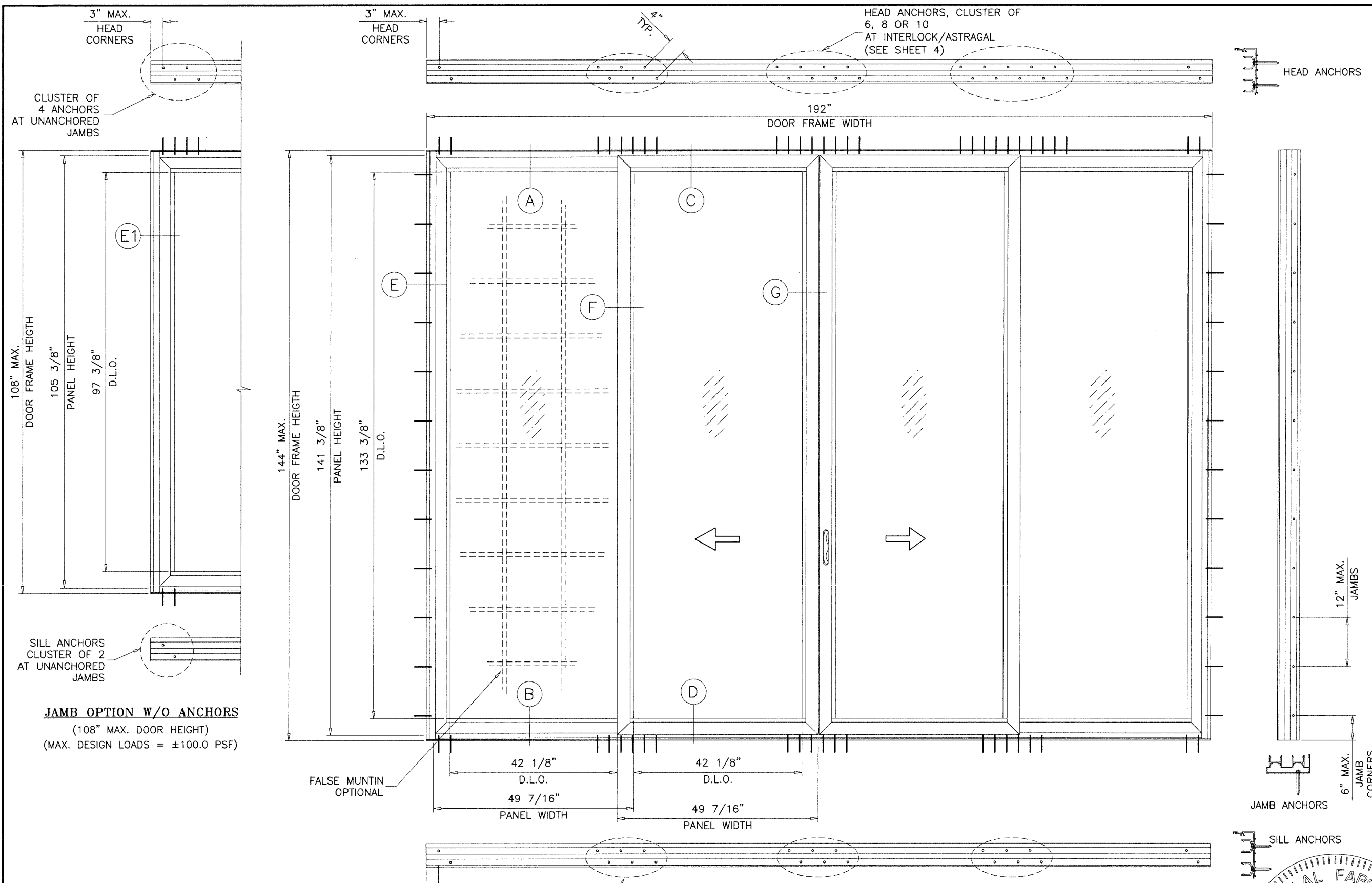
MG-1000 ALUM SLIDING GLASS DOOR (L.M.I.)
MR-GLASS DOORS & WINDOWS MANUFACTURING, LLC
8051 N.W. 79th Place
Medley, FL 33166
Tel. (305) 764-3963 Fax. (305) 470-8285

no	date	by	description
C	01.19.18		UPDATED TO 2017 FBC
D	01.21.21		GENERAL REVISION
E	01.13.23		NEW TEST ADDED
F	07.21.23		UPDATED TO 2023 FBC

date: 10-28-15
scale: 3/8" = 1"
dr. by: TARIQ
chk. by:

drawing no.
W15-83
sheet 1 of 17

COMP-ANL\W15-83MG



JAMB OPTION W/O ANCHORS
 (108" MAX. DOOR HEIGHT)
 (MAX. DESIGN LOADS = ±100.0 PSF)

DAYLITE OPENINGS WIDTHS:
 PANEL WIDTH - 7.313"
 DAYLITE OPENING HEIGHT:
 PANEL HEIGHT - 8.0"
 PANEL HEIGHT = DOOR FRAME HEIGHT - 2.625"
 MAX. FRAME AREA OF S.G.D. SHALL NOT
 EXCEED FRAME AND PANEL AREA OF TESTED UNIT
 PER FBC REQUIREMENTS.

TYPICAL ELEVATION
 TESTED UNIT
 (NON-POCKETED DOOR)

Sealed: 7/24/2023

FL #19092



AL-FAROOQ CORPORATION
 ENGINEERS & PRODUCT DEVELOPMENT
 9360 SUNSET DRIVE, SUITE 220
 MIAMI, FLORIDA 33173 (C.A.N. 3538)
 TEL. (305) 264-8100 FAX. (305) 262-6978
 COMP-ANL \ W15-83MG

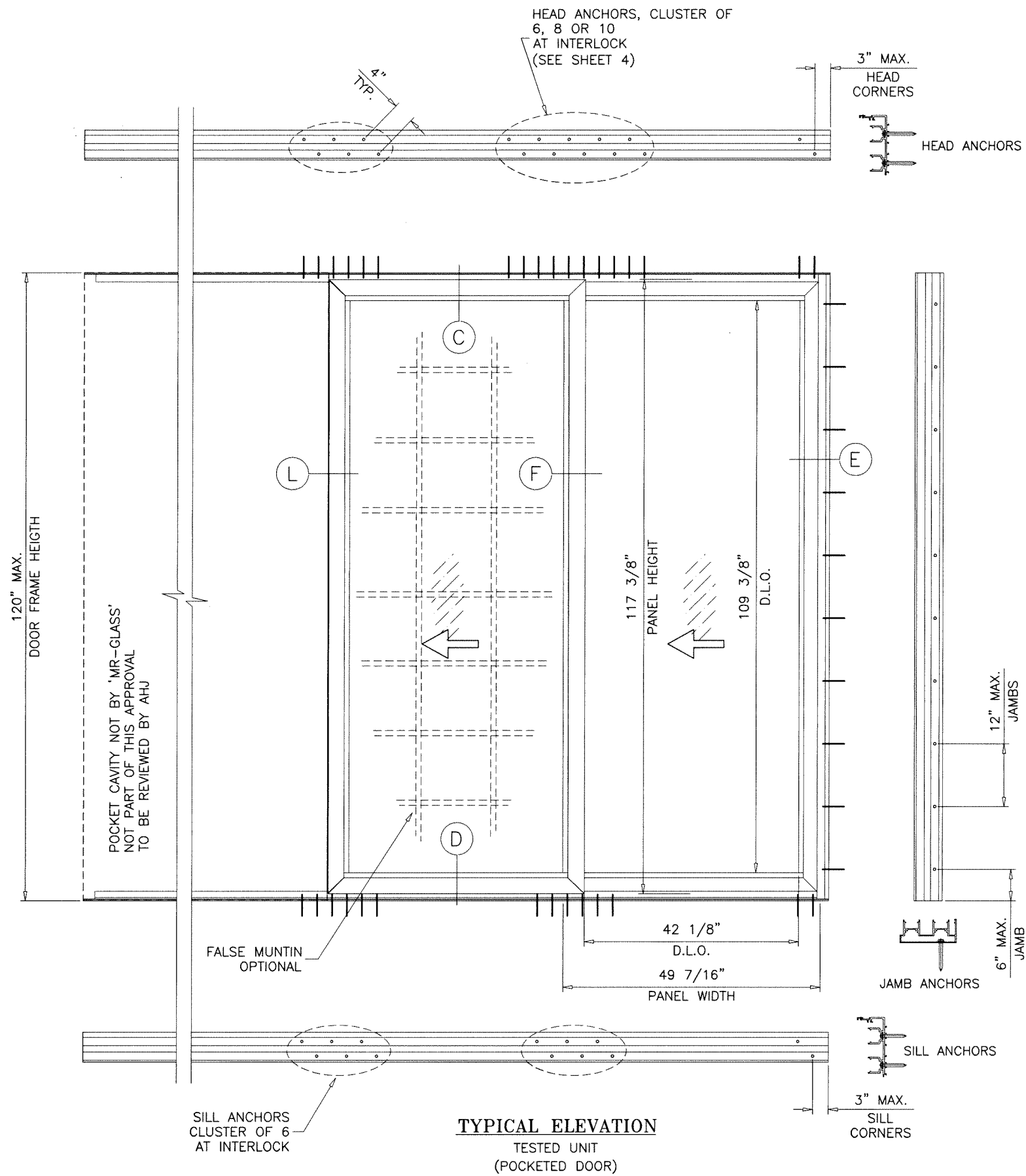
MG-1000 ALUM SLIDING GLASS DOOR (L.M.I.)
 MR-GLASS DOORS & WINDOWS MANUFACTURING, LLC
 8051 N.W. 79th Place
 Medley, FL. 33166
 Tel. (305) 764-3963 Fax. (305) 470-8285

reVISIONS:

no.	date	by description

date: 10-28-15
 scale: 1/2"=1'-0"
 dr. by: TARIQ
 chk. by:

drawing no.
W15-83
 sheet 2 of 17



TYPICAL ELEVATION
TESTED UNIT
(POCKETED DOOR)



Sealed: 7/24/2023

FL #19092

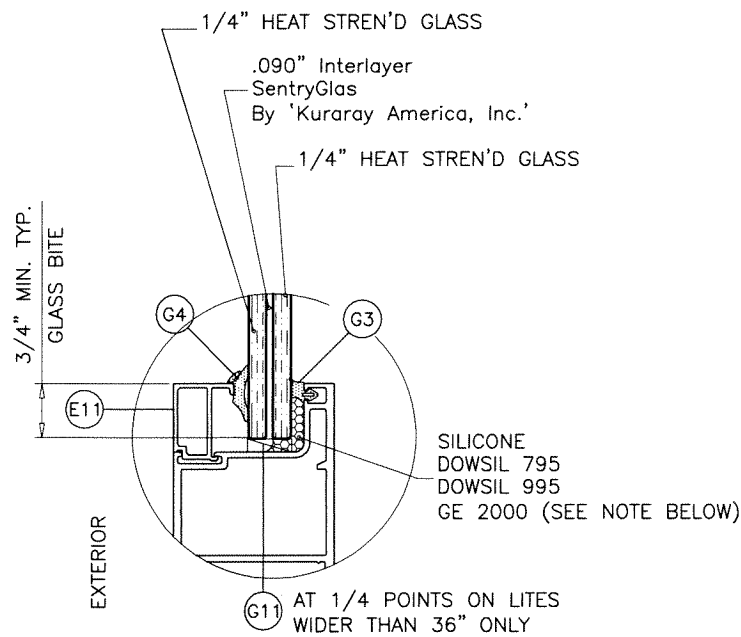
af c
AL-FAROOQ CORPORATION
ENGINEERS & PRODUCT DEVELOPMENT
9360 SUNSET DRIVE, SUITE 220
MIAMI, FLORIDA 33173 (C.A.N. 3538)
TEL. (305) 264-8100 FAX. (305) 262-6978
COMP-ANL\W15-83MG

MG-1000 ALUM SLIDING GLASS DOOR (L.M.I.)
MR-GLASS DOORS & WINDOWS MANUFACTURING, LLC
8051 N.W. 79th Place
Medley, FL. 33166
Tel. (305) 764-3963 Fax. (305) 470-8285

no	date	description

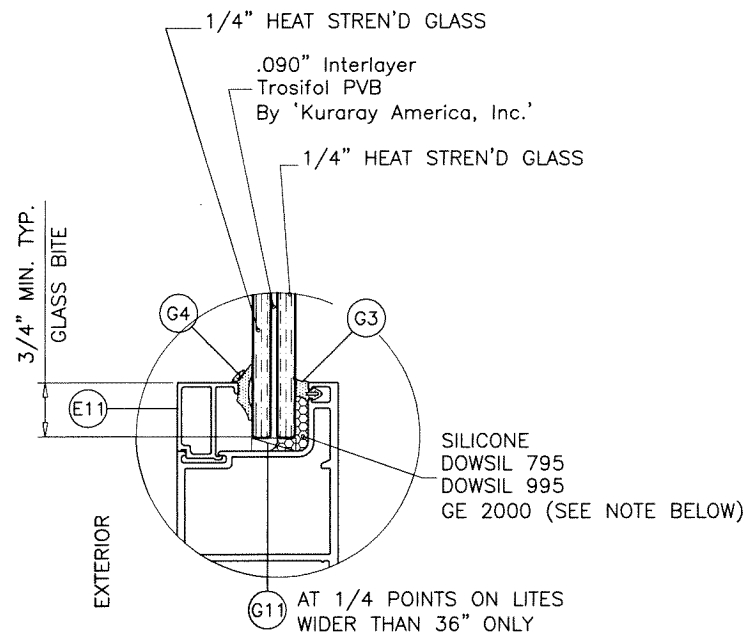
date: 10-28-15
scale: 1/2"=1'-0"
dr. by: TARIQ
chk. by:

drawing no.
W15-83
sheet 3 of 17



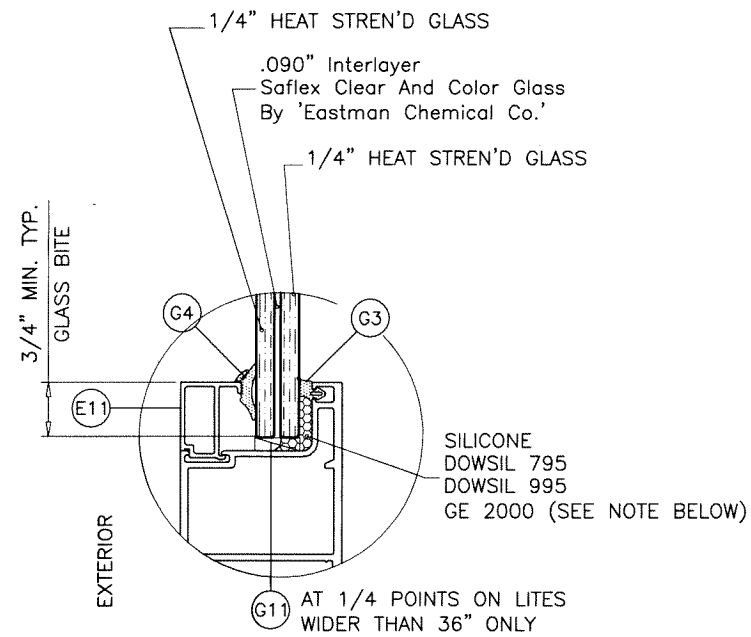
GLASS TYPE 'A'

9/16" OVERALL LAMINATED GLASS



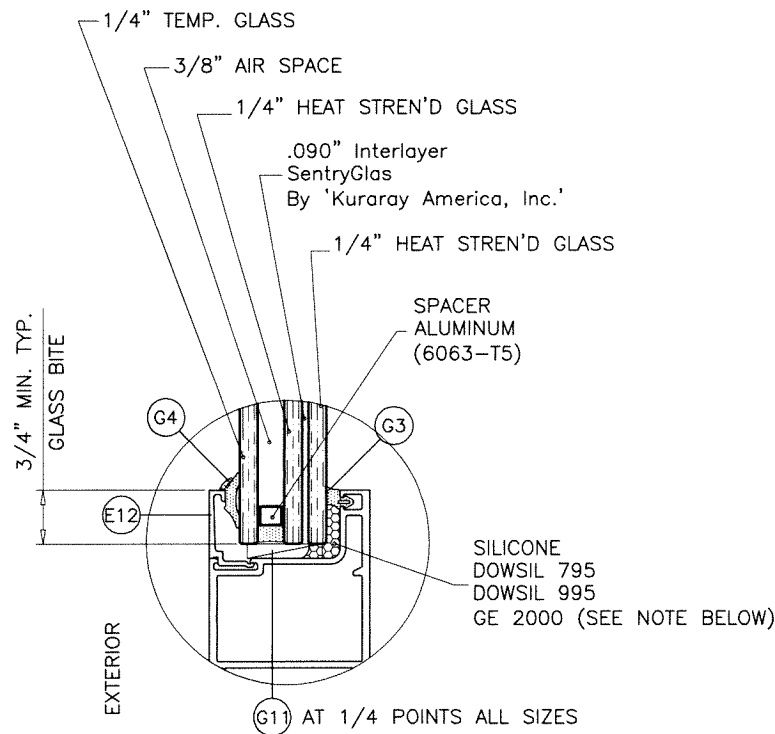
GLASS TYPE 'B'

9/16" OVERALL LAMINATED GLASS



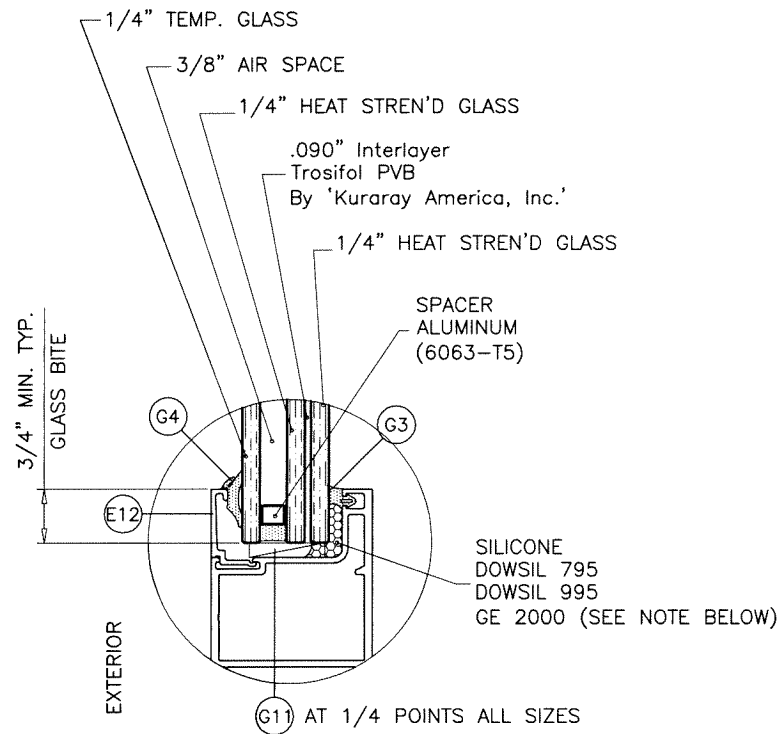
GLASS TYPE 'C'

9/16" OVERALL LAMINATED GLASS



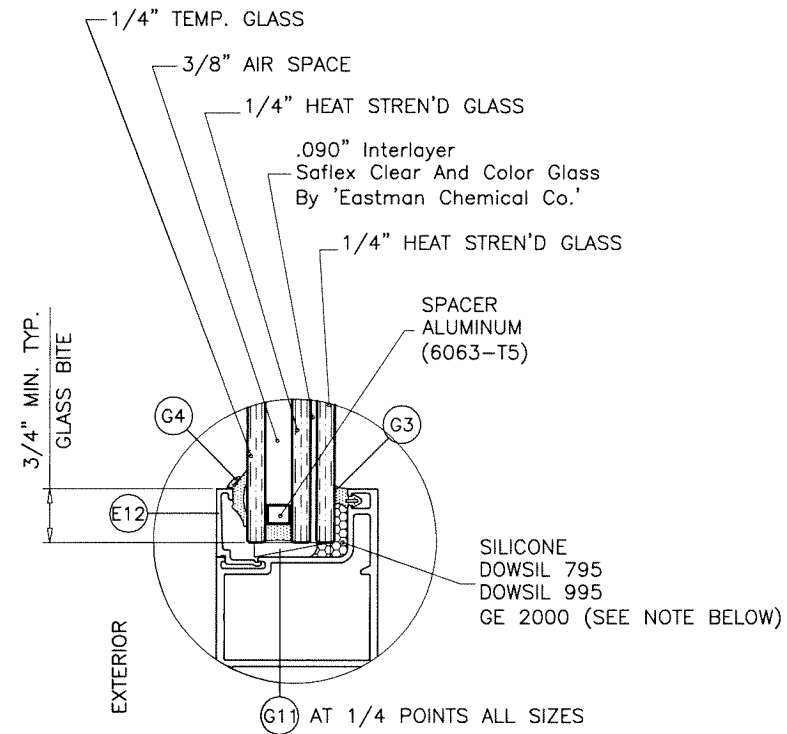
GLASS TYPE 'AI'

1-3/16" OVERALL INSUL. LAM. GLASS



GLASS TYPE 'BI'

1-3/16" OVERALL INSUL. LAM. GLASS



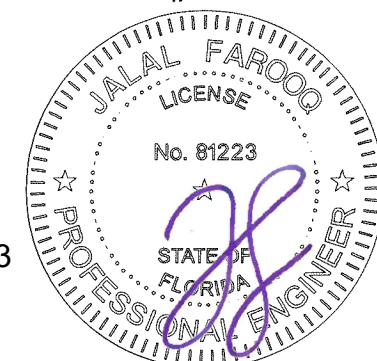
GLASS TYPE 'CI'

1-3/16" OVERALL INSUL. LAM. GLASS

GLAZING OPTIONS

NOTE:
FOR GE 2000 SILICONE
LIMIT MAX. DESIGN LOADS TO ±60 PSF

Sealed: 7/24/2023



af c
AL-FAROOQ CORPORATION
 ENGINEERS & PRODUCT DEVELOPMENT
 9360 SUNSET DRIVE, SUITE 220
 MIAMI, FLORIDA 33173
 TEL. (305) 264-8100 FAX. (305) 262-6978
 (C.A.N. 3538)
 COMP-ANL W15-83MG

MG-1000 ALUM SLIDING GLASS DOOR (L.M.I.)
MR-GLASS DOORS & WINDOWS MANUFACTURING, LLC
 8051 N.W. 79th Place
 Medley, FL. 33166
 Tel. (305) 764-3963 Fax. (305) 470-8285

revisions:	no	date	by	description

date:	10-28-15
scale:	3/8" = 1"
dr. by:	TARIQ
chk. by:	

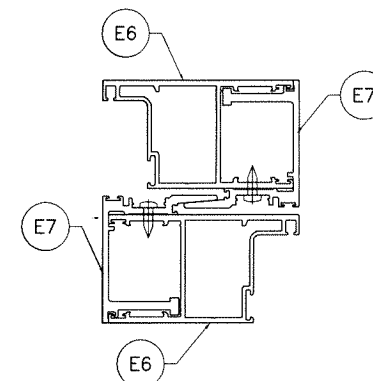
drawing no.
W15-83
 sheet 4 of 17

DESIGN LOAD CAPACITY - PSF

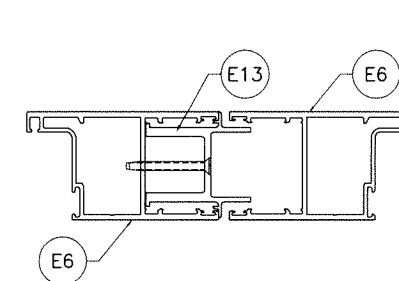
AVERAGE PANEL WIDTH INCHES	DOOR FRAME HEIGHT INCHES	JAMBS W/O ANCHORS						JAMBS WITH ANCHORS							
		STD. INTERLOCK STD. ASTRAGAL				STD. INTERLOCK STD. ASTRAGAL				STD. INTERLOCK REINF. ASTRAGAL					
		GLASS TYPES 'A' & 'A1'		GLASS TYPES 'B' & 'B1'		GLASS TYPES 'C' & 'C1'		GLASS TYPES 'A' & 'A1'		GLASS TYPES 'B' & 'B1'		GLASS TYPES 'C' & 'C1'		GLASS TYPES 'A' & 'A1'	
		EXT.(+)	INT.(-)	EXT.(+)	INT.(-)	EXT.(+)	INT.(-)	EXT.(+)	INT.(-)	EXT.(+)	INT.(-)	EXT.(+)	INT.(-)	EXT.(+)	INT.(-)
30	82-7/8	100.0	100.0	80.0	80.0	80.0	80.0	100.0	100.0	80.0	80.0	80.0	80.0	120.0	140.0
36		100.0	100.0	80.0	80.0	80.0	80.0	100.0	100.0	80.0	80.0	80.0	80.0	120.0	140.0
42		100.0	100.0	80.0	80.0	80.0	80.0	100.0	100.0	80.0	80.0	80.0	80.0	120.0	140.0
48		100.0	100.0	80.0	80.0	80.0	80.0	100.0	100.0	80.0	80.0	80.0	80.0	120.0	140.0
54		88.9	88.9	71.1	71.1	71.1	71.1	88.9	88.9	80.0	80.0	80.0	80.0	106.7	124.4
60		80.0	80.0	60.0	60.0	-	-	80.0	80.0	60.0	60.0	-	-	96.0	112.0
30	84	100.0	100.0	80.0	80.0	80.0	80.0	100.0	100.0	80.0	80.0	80.0	80.0	120.0	140.0
36		100.0	100.0	80.0	80.0	80.0	80.0	100.0	100.0	80.0	80.0	80.0	80.0	120.0	140.0
42		100.0	100.0	80.0	80.0	80.0	80.0	100.0	100.0	80.0	80.0	80.0	80.0	120.0	140.0
48		100.0	100.0	80.0	80.0	80.0	80.0	100.0	100.0	80.0	80.0	80.0	80.0	120.0	140.0
54		88.9	88.9	71.1	71.1	71.1	71.1	88.9	88.9	80.0	80.0	80.0	80.0	106.7	124.4
60		80.0	80.0	60.0	60.0	-	-	80.0	80.0	60.0	60.0	-	-	96.0	112.0
30	90	100.0	100.0	80.0	80.0	80.0	80.0	100.0	100.0	80.0	80.0	80.0	80.0	120.0	140.0
36		100.0	100.0	80.0	80.0	80.0	80.0	100.0	100.0	80.0	80.0	80.0	80.0	120.0	140.0
42		100.0	100.0	80.0	80.0	80.0	80.0	100.0	100.0	80.0	80.0	80.0	80.0	120.0	140.0
48		100.0	100.0	80.0	80.0	80.0	80.0	100.0	100.0	80.0	80.0	80.0	80.0	120.0	140.0
54		88.9	88.9	60.0	60.0	-	-	88.9	88.9	60.0	60.0	-	-	106.7	124.4
60		-	-	60.0	60.0	-	-	-	-	60.0	60.0	-	-	96.0	112.0
30	96	100.0	100.0	80.0	80.0	80.0	80.0	100.0	100.0	80.0	80.0	80.0	80.0	120.0	140.0
36		100.0	100.0	80.0	80.0	80.0	80.0	100.0	100.0	80.0	80.0	80.0	80.0	120.0	140.0
42		100.0	100.0	80.0	80.0	80.0	80.0	100.0	100.0	80.0	80.0	80.0	80.0	120.0	140.0
48		100.0	100.0	80.0	80.0	80.0	80.0	100.0	100.0	80.0	80.0	80.0	80.0	120.0	140.0
54		88.9	88.9	60.0	60.0	-	-	88.9	88.9	60.0	60.0	-	-	106.7	124.4
60		-	-	60.0	60.0	-	-	-	-	60.0	60.0	-	-	96.0	112.0
30	102	100.0	100.0	60.0	60.0	-	-	100.0	100.0	60.0	60.0	-	-	120.0	140.0
36		100.0	100.0	60.0	60.0	-	-	100.0	100.0	60.0	60.0	-	-	120.0	140.0
42		100.0	100.0	60.0	60.0	-	-	100.0	100.0	60.0	60.0	-	-	120.0	140.0
48		100.0	100.0	60.0	60.0	-	-	100.0	100.0	60.0	60.0	-	-	120.0	140.0
50		-	-	60.0	60.0	-	-	-	-	60.0	60.0	-	-	115.2	134.4
52		-	-	60.0	60.0	-	-	-	-	60.0	60.0	-	-	110.8	129.2
54		-	-	60.0	60.0	-	-	-	-	60.0	60.0	-	-	106.7	124.4
56		-	-	60.0	60.0	-	-	-	-	60.0	60.0	-	-	102.9	120.0
30	108	100.0	100.0	60.0	60.0	-	-	100.0	100.0	60.0	60.0	-	-	120.0	140.0
36		100.0	100.0	60.0	60.0	-	-	100.0	100.0	60.0	60.0	-	-	120.0	140.0
42		100.0	100.0	60.0	60.0	-	-	100.0	100.0	60.0	60.0	-	-	120.0	140.0
48		100.0	100.0	60.0	60.0	-	-	100.0	100.0	60.0	60.0	-	-	120.0	140.0
50		-	-	60.0	60.0	-	-	-	-	60.0	60.0	-	-	115.2	134.4
52		-	-	60.0	60.0	-	-	-	-	60.0	60.0	-	-	110.8	129.2
30	114	-	-	60.0	60.0	-	-	-	-	60.0	60.0	-	-	120.0	140.0
36		-	-	60.0	60.0	-	-	-	-	60.0	60.0	-	-	120.0	140.0
42		-	-	60.0	60.0	-	-	-	-	60.0	60.0	-	-	120.0	140.0
48		-	-	60.0	60.0	-	-	-	-	60.0	60.0	-	-	120.0	140.0
50		-	-	60.0	60.0	-	-	-	-	60.0	60.0	-	-	115.2	134.4
30	120	-	-	60.0	60.0	-	-	-	-	60.0	60.0	-	-	120.0	140.0
36		-	-	60.0	60.0	-	-	-	-	60.0	60.0	-	-	120.0	140.0
42		-	-	60.0	60.0	-	-	-	-	60.0	60.0	-	-	120.0	140.0
48		-	-	60.0	60.0	-	-	-	-	60.0	60.0	-	-	120.0	140.0

EXTERIOR(+) LOADS SHOWN IN CHART ABOVE ARE FOR ALL DOOR CONFIGURATIONS EXCEPT TWO PANEL (XX) DOORS SEE SHEET 10 FOR TWO PANEL (XX) DOOR LIMITATIONS.

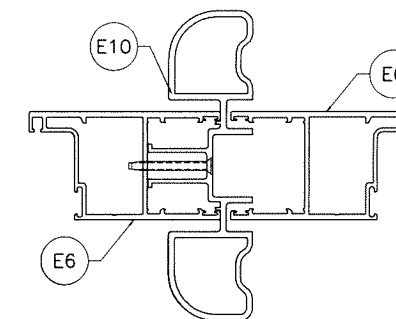
$$\text{AVERAGE PANEL WIDTH} = \frac{\text{DOOR FRAME WIDTH}}{\text{NUMBER OF PANELS}}$$



STD. INTERLOCK



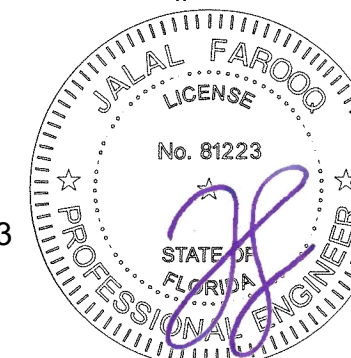
STD. ASTRAGAL



REINF. ASTRAGAL

NOTE:
GLASS CAPACITIES ON THIS SHEET ARE
BASED ON ASTM E1300-09 (3 SEC. GUSTS)
AND FLORIDA BUILDING COMMISSION
DECLARATORY STATEMENT DCA05-DEC-219

FL #19092



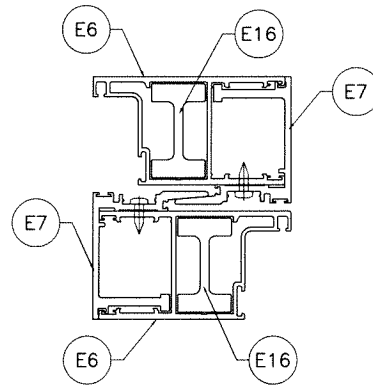
Sealed: 7/24/2023

af c
AL-FAROOQ CORPORATION
 ENGINEERS & PRODUCT DEVELOPMENT
 9360 SUNSET DRIVE, SUITE 220 (C.A.N. 3538)
 MIAMI, FLORIDA 33173 FAX. (305) 262-6978
 TEL. (305) 264-8100
 COMP-ANL W15-83MG

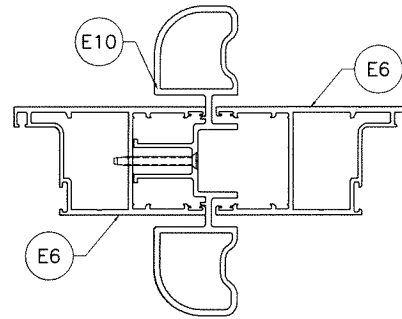
MG-1000 ALUM SLIDING GLASS DOOR (L.M.I.)
MR-GLASS DOORS & WINDOWS MANUFACTURING, LLC
 8051 N.W. 79th Place
 Medley, FL 33166
 Tel. (305) 764-3963 Fax. (305) 470-8285

revisions:	no.	date	description
date:	10-28-15	scale:	3/8" = 1"
dr. by:	TARIO	chk. by:	
drawing no.	W15-83		
sheet	5 of 17		

DESIGN LOAD CAPACITY - PSF			
AVERAGE PANEL WIDTH INCHES	DOOR FRAME HEIGHT INCHES	JAMBS WITH ANCHORS	
		REINF. INTERLOCK REINF. ASTRAGAL	
		GLASS TYPES 'A' & 'A1'	
		EXT.(+)	INT.(-)
72	96	65.0	75.0
67	102	65.0	75.0
70		65.0	70.0
64	108	65.0	75.0
66		65.0	70.0
54	114	65.0	75.0
60		65.0	75.0
54	120	65.0	75.0
60		65.0	75.0
30	132	65.0	75.0
36		65.0	75.0
42		65.0	75.0
48		65.0	75.0
30	144	65.0	75.0
36		65.0	75.0
42		65.0	75.0
48		65.0	75.0



REINF. INTERLOCK

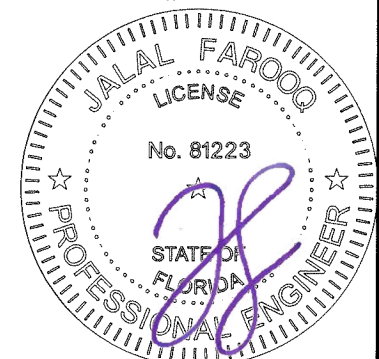


REINF. ASTRAGAL

AVERAGE PANEL WIDTH = $\frac{\text{DOOR FRAME WIDTH}}{\text{NUMBER OF PANELS}}$

NOTE:
GLASS CAPACITIES ON THIS SHEET ARE
BASED ON ASTM E1300-09 (3 SEC. GUSTS)
AND FLORIDA BUILDING COMMISSION
DECLARATORY STATEMENT DCA05-DEC-219

FL #19092



Sealed: 7/24/2023

af c
AL-FAROOQ CORPORATION
ENGINEERS & PRODUCT DEVELOPMENT
9360 SUNSET DRIVE, SUITE 220
MIAMI, FLORIDA 33173 (C.A.N. 353B)
TEL. (305) 264-8100 FAX. (305) 262-6978
COMP-ANL\W15-83MG

MG-1000 ALUM SLIDING GLASS DOOR (L.M.I.)
MR-GLASS DOORS & WINDOWS MANUFACTURING, LLC
8051 N.W. 79th Place
Medley, FL. 33166
Tel. (305) 764-3963 Fax. (305) 470-8285

no.	date	by	description

date: 10-28-15
scale: 3/8" = 1"
dr. by: TARIQ
chk. by:
drawing no.
W15-83
sheet 6 of 17

HEAD ANCHOR LOAD CAPACITY - PSF												
SHIM SPACE		1/2" MAX. SHIM			3/8" MAX. SHIM				1/4" MAX. SHIM			
ANCHOR TYPE		ANCHOR TYPES 'A', 'B' & 'C'			ANCHOR TYPE 'A'		ANCHORS 'B' & 'C'		ANCHOR TYPE 'A'		ANCHORS 'B' & 'C'	
PANEL WIDTH INCHES	DOOR FRAME HEIGHT INCHES	6 ANCHORS AT MTG. STILE ENDS	8 ANCHORS AT MTG. STILE ENDS	10 ANCHORS AT MTG. STILE ENDS	6 ANCHORS AT MTG. STILE ENDS	8 ANCHORS AT MTG. STILE ENDS	6 ANCHORS AT MTG. STILE ENDS	8 ANCHORS AT MTG. STILE ENDS	6 ANCHORS AT MTG. STILE ENDS	8 ANCHORS AT MTG. STILE ENDS	6 ANCHORS AT MTG. STILE ENDS	
		EXT. (+) INT. (-)	EXT. (+) INT. (-)	EXT. (+) INT. (-)	EXT. (+) INT. (-)	EXT. (+) INT. (-)	EXT. (+) INT. (-)	EXT. (+) INT. (-)	EXT. (+) INT. (-)	EXT. (+) INT. (-)	EXT. (+) INT. (-)	EXT. (+) INT. (-)
30	82-7/8	140.0	140.0	140.0	140.0	140.0	140.0	140.0	140.0	140.0	140.0	
36		140.0	140.0	140.0	140.0	140.0	140.0	140.0	140.0	140.0	140.0	
42		140.0	140.0	140.0	140.0	140.0	140.0	140.0	140.0	140.0	140.0	
48		128.6	140.0	140.0	140.0	140.0	140.0	140.0	140.0	140.0	140.0	
54		114.3	124.4	124.4	124.4	124.4	124.4	124.4	124.4	124.4	124.4	
60		102.9	112.0	112.0	112.0	112.0	112.0	112.0	112.0	112.0	112.0	
30	84	140.0	140.0	140.0	140.0	140.0	140.0	140.0	140.0	140.0	140.0	
36		140.0	140.0	140.0	140.0	140.0	140.0	140.0	140.0	140.0	140.0	
42		140.0	140.0	140.0	140.0	140.0	140.0	140.0	140.0	140.0	140.0	
48		126.9	140.0	140.0	140.0	140.0	140.0	140.0	140.0	140.0	140.0	
54		112.8	124.4	124.4	124.4	124.4	124.4	124.4	124.4	124.4	124.4	
60		101.5	112.0	112.0	112.0	112.0	112.0	112.0	112.0	112.0	112.0	
30	90	140.0	140.0	140.0	140.0	140.0	140.0	140.0	140.0	140.0	140.0	
36		140.0	140.0	140.0	140.0	140.0	140.0	140.0	140.0	140.0	140.0	
42		135.3	140.0	140.0	140.0	140.0	140.0	140.0	140.0	140.0	140.0	
48		118.4	140.0	140.0	136.8	140.0	140.0	140.0	136.8	140.0	140.0	
54		105.2	124.4	124.4	121.6	124.4	124.4	124.4	121.6	124.4	124.4	
60		94.7	112.0	112.0	109.4	112.0	112.0	112.0	109.4	112.0	112.0	
30	96	140.0	140.0	140.0	140.0	140.0	140.0	140.0	140.0	140.0	140.0	
36		140.0	140.0	140.0	140.0	140.0	140.0	140.0	140.0	140.0	140.0	
42		126.9	140.0	140.0	140.0	140.0	140.0	140.0	140.0	140.0	140.0	
48		111.0	140.0	140.0	128.3	140.0	139.4	140.0	128.3	140.0	140.0	
54		98.7	124.4	124.4	114.0	124.4	123.9	124.4	114.0	124.4	124.4	
60		88.8	112.0	112.0	102.6	112.0	111.5	112.0	102.6	112.0	112.0	
72	74.0	75.0	75.0	75.0	75.0	75.0	75.0	75.0	75.0	75.0		
30	102	140.0	140.0	140.0	140.0	140.0	140.0	140.0	140.0	140.0	140.0	
36		139.3	140.0	140.0	140.0	140.0	140.0	140.0	140.0	140.0	140.0	
42		119.4	140.0	140.0	137.9	140.0	140.0	140.0	137.9	140.0	140.0	
48		104.5	139.3	140.0	120.7	140.0	131.2	140.0	120.7	140.0	140.0	
50		100.3	133.7	134.4	115.9	134.4	125.9	134.4	115.9	134.4	134.4	
52		96.4	128.6	129.2	111.4	129.2	121.1	129.2	111.4	129.2	129.2	
54		92.9	123.8	124.4	107.3	124.4	116.6	124.4	107.3	124.4	124.4	
56		89.5	119.4	120.0	103.5	120.0	112.4	120.0	103.5	120.0	120.0	
60		75.0	75.0	75.0	75.0	75.0	75.0	75.0	75.0	75.0	75.0	
70		71.6	75.0	75.0	75.0	75.0	75.0	75.0	75.0	75.0	75.0	
30	108	140.0	140.0	140.0	140.0	140.0	140.0	140.0	140.0	140.0	140.0	
36		131.6	140.0	140.0	140.0	140.0	140.0	140.0	140.0	140.0	140.0	
42		112.8	140.0	140.0	130.3	140.0	140.0	140.0	130.3	140.0	140.0	
48		98.7	131.6	140.0	114.0	140.0	123.9	140.0	114.0	140.0	140.0	
50		94.7	126.3	134.4	109.4	134.4	118.9	134.4	109.4	134.4	134.4	
52		91.1	121.4	129.2	105.2	129.2	114.3	129.2	105.2	129.2	129.2	
54		75.0	75.0	75.0	75.0	75.0	75.0	75.0	75.0	75.0	75.0	
60		75.0	75.0	75.0	75.0	75.0	75.0	75.0	75.0	75.0	75.0	
66	71.8	75.0	75.0	75.0	75.0	75.0	75.0	75.0	75.0	75.0		
30	114	140.0	140.0	140.0	140.0	140.0	140.0	140.0	140.0	140.0	140.0	
36		124.6	140.0	140.0	140.0	140.0	140.0	140.0	140.0	140.0	140.0	
42		106.8	140.0	140.0	123.4	140.0	134.1	140.0	123.4	140.0	140.0	
48		93.5	124.6	140.0	108.0	140.0	117.3	140.0	108.0	140.0	140.0	
50		89.7	119.6	134.4	103.7	134.4	112.7	134.4	103.7	134.4	134.4	
54		75.0	75.0	75.0	75.0	75.0	75.0	75.0	75.0	75.0	75.0	
60		75.0	75.0	75.0	75.0	75.0	75.0	75.0	75.0	75.0	75.0	

HEAD ANCHOR LOAD CAPACITY - PSF												
SHIM SPACE		1/2" MAX. SHIM			3/8" MAX. SHIM				1/4" MAX. SHIM			
ANCHOR TYPE		ANCHOR TYPES 'A', 'B' & 'C'			ANCHOR TYPE 'A'		ANCHORS 'B' & 'C'		ANCHOR TYPE 'A'		ANCHORS 'B' & 'C'	
PANEL WIDTH INCHES	DOOR FRAME HEIGHT INCHES	6 ANCHORS AT MTG. STILE ENDS	8 ANCHORS AT MTG. STILE ENDS	10 ANCHORS AT MTG. STILE ENDS	6 ANCHORS AT MTG. STILE ENDS	8 ANCHORS AT MTG. STILE ENDS	6 ANCHORS AT MTG. STILE ENDS	8 ANCHORS AT MTG. STILE ENDS	6 ANCHORS AT MTG. STILE ENDS	8 ANCHORS AT MTG. STILE ENDS	6 ANCHORS AT MTG. STILE ENDS	
		EXT. (+) INT. (-)	EXT. (+) INT. (-)	EXT. (+) INT. (-)	EXT. (+) INT. (-)	EXT. (+) INT. (-)	EXT. (+) INT. (-)	EXT. (+) INT. (-)	EXT. (+) INT. (-)	EXT. (+) INT. (-)	EXT. (+) INT. (-)	EXT. (+) INT. (-)
30	120	140.0	140.0	140.0	140.0	140.0	140.0	140.0	140.0	140.0	140.0	
36		118.4	140.0	140.0	136.8	140.0	140.0	140.0	136.8	140.0	140.0	
42		101.5	135.3	140.0	117.3	140.0	127.4	140.0	117.3	140.0	140.0	
48		88.8	118.4	140.0	102.6	136.8	111.5	140.0	102.6	136.8	140.0	
54		75.0	75.0	75.0	75.0	75.0	75.0	75.0	75.0	75.0	75.0	
60		71.0	75.0	75.0	75.0	75.0	75.0	75.0	75.0	75.0	75.0	
30	132	75.0	75.0	75.0	75.0	75.0	75.0	75.0	75.0	75.0	75.0	
36		75.0	75.0	75.0	75.0	75.0	75.0	75.0	75.0	75.0	75.0	
42		75.0	75.0	75.0	75.0	75.0	75.0	75.0	75.0	75.0	75.0	
48		75.0	75.0	75.0	75.0	75.0	75.0	75.0	75.0	75.0	75.0	
30	144	75.0	75.0	75.0	75.0	75.0	75.0	75.0	75.0	75.0	75.0	
36		75.0	75.0	75.0	75.0	75.0	75.0	75.0	75.0	75.0	75.0	
42		75.0	75.0	75.0	75.0	75.0	75.0	75.0	75.0	75.0	75.0	
48	74.0	75.0	75.0	75.0	75.0	75.0	75.0	75.0	75.0	75.0		

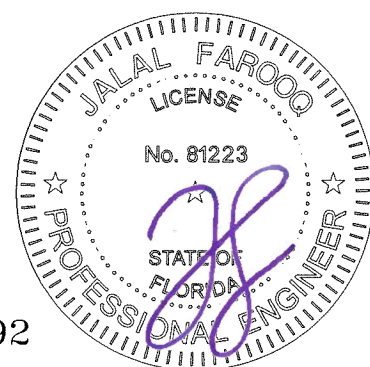
afc

AL-FAROOQ CORPORATION
ENGINEERS & PRODUCT DEVELOPMENT
9360 SUNSET DRIVE, SUITE 220
MIAMI, FLORIDA 33173 (C.A.N. 3538)
TEL. (305) 264-8100 FAX. (305) 262-6978

MG-1000 ALUM SLIDING GLASS DOOR (L.M.I.)

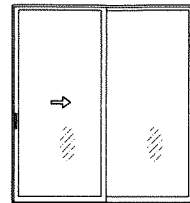
MR-GLASS DOORS & WINDOWS MANUFACTURING, LLC
8051 N.W. 79th Place
Medley, FL. 33166
Tel. (305) 764-3963 Fax. (305) 470-8285

revisions:	no	date	description
date:	10-28-15	scale:	-
dr. by:	TARIQ	chk. by:	
drawing no.			
W15-83			
sheet 7 of 17			

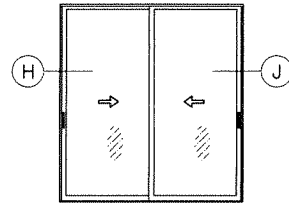
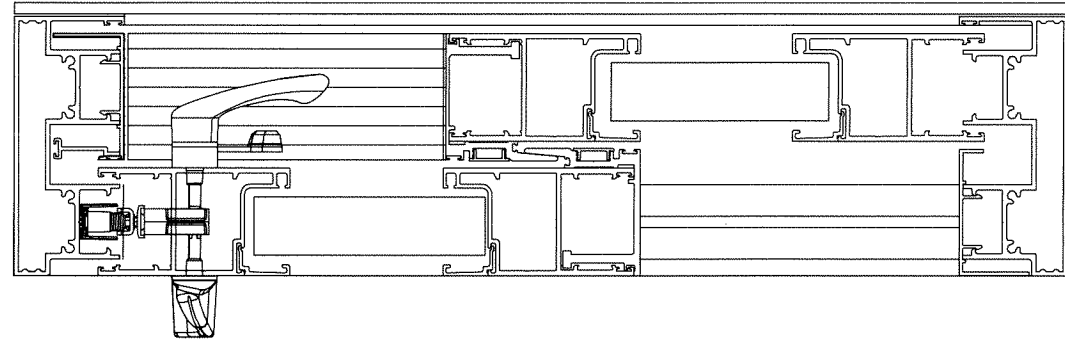


Sealed: 7/24/2023

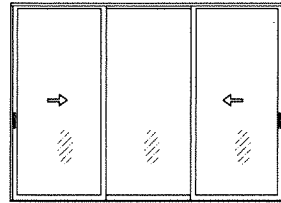
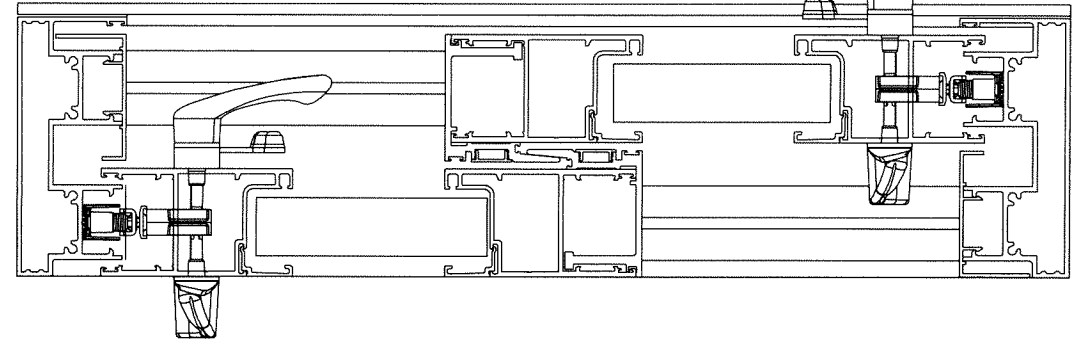
FL #19092



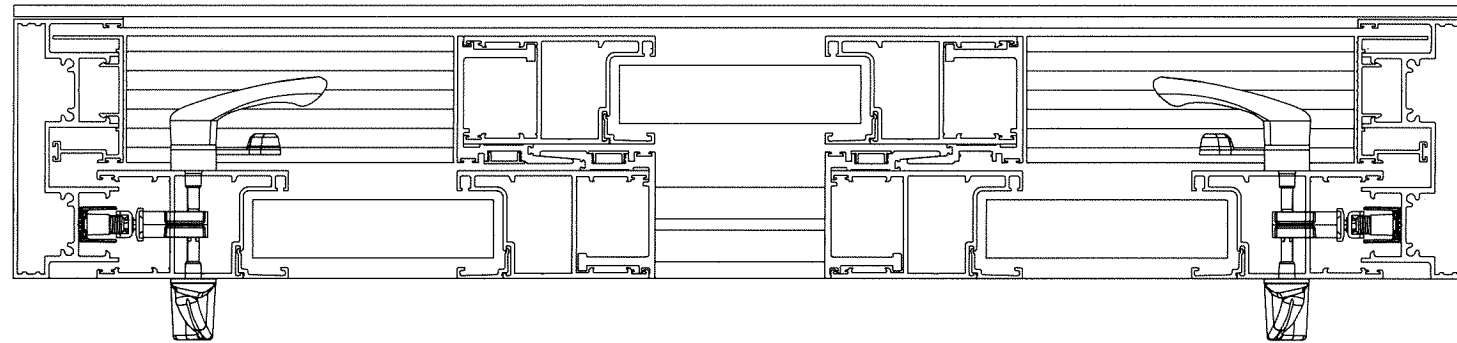
XO (SHOWN)
OX



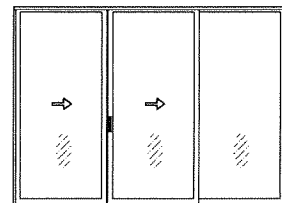
XX (SHOWN)



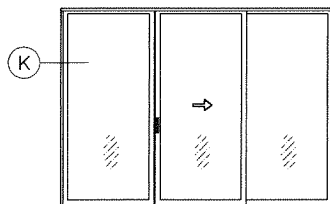
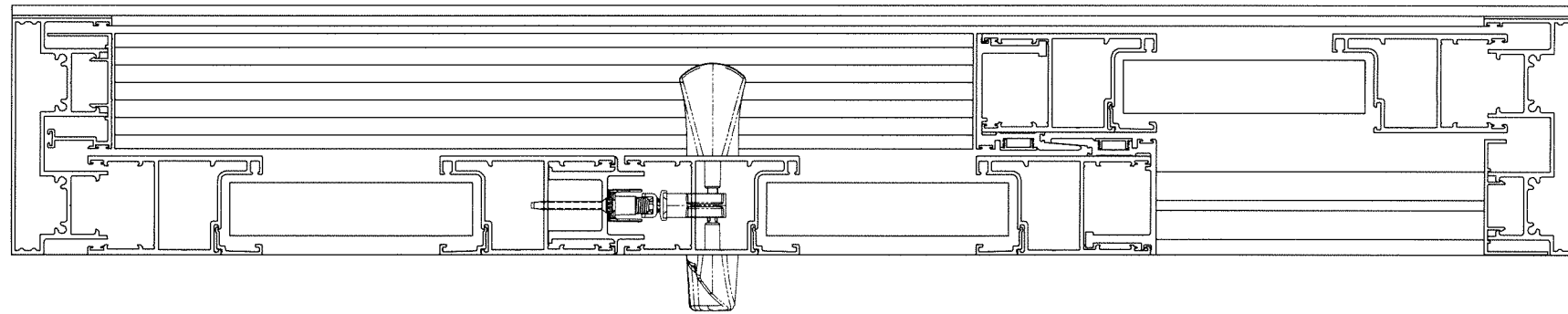
XOX (SHOWN)



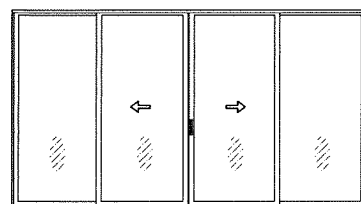
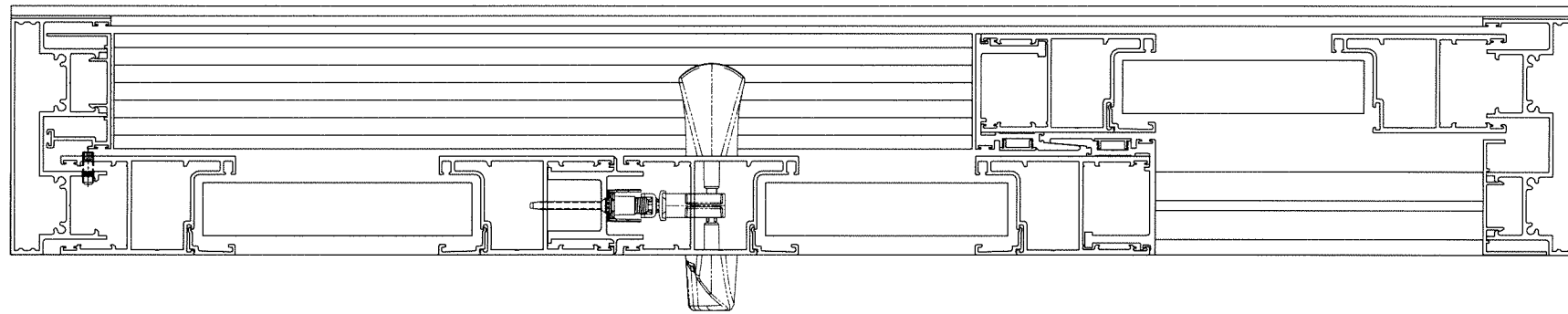
- NOTE:
1. CONFIGURATIONS SHOWN FOR ILLUSTRATION PURPOSES ONLY.
 2. FOR APPLICABLE DESIGN PRESSURES SEE INSTRUCTIONS IN SHEET 1.
 3. FOR ANCHOR DETAILS SEE SHEETS 10 THRU 14.



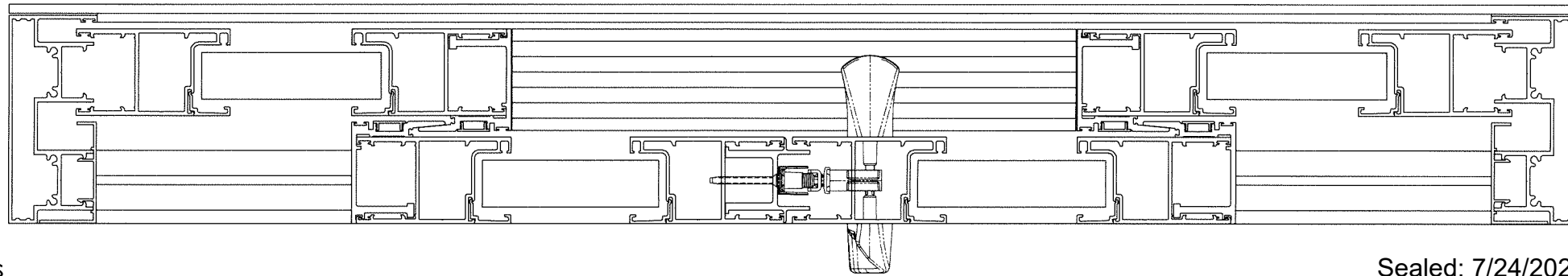
XXO (SHOWN)



O XO (SHOWN)

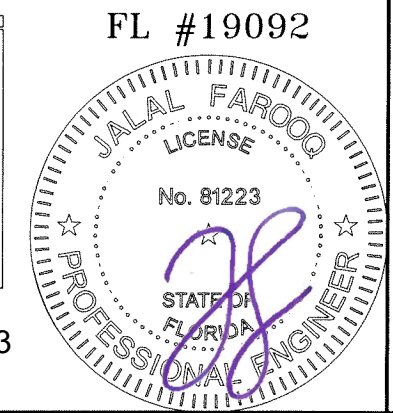


OXXO (SHOWN)



APPROVED CONFIGURATIONS
NON-POCKETED DOORS

Sealed: 7/24/2023



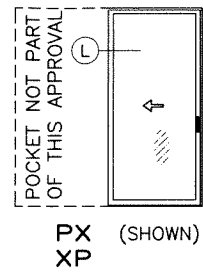
af c
AL-FAROOQ CORPORATION
 ENGINEERS & PRODUCT DEVELOPMENT
 9360 SUNSET DRIVE, SUITE 220
 MIAMI, FLORIDA 33173 (C.A.N. 3538)
 TEL. (305) 264-8100 FAX. (305) 262-6978
 COMP-ANL\W15-83MG

MG-1000 ALUM SLIDING GLASS DOOR (L.M.I.)
MR-GLASS DOORS & WINDOWS MANUFACTURING, LLC
 8051 N.W. 79th Place
 Medley, FL. 33166
 Tel. (305) 764-3963 Fax. (305) 470-8285

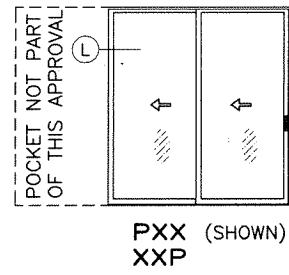
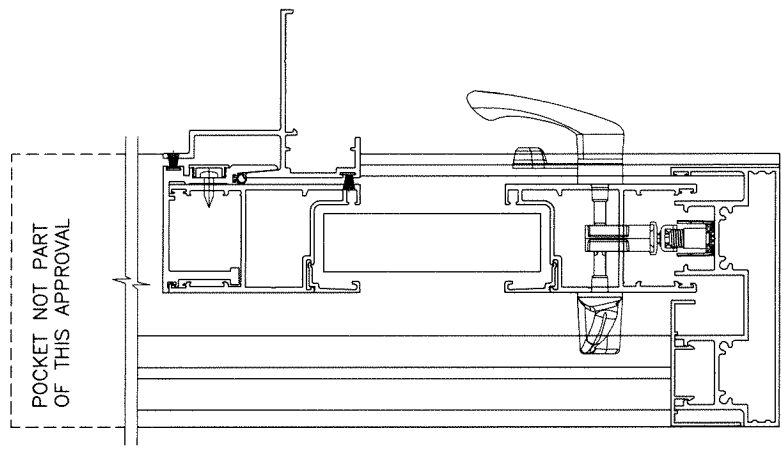
no.	date	description

date: 10-28-15
 scale: -
 dr. by: TARIQ
 chk. by:

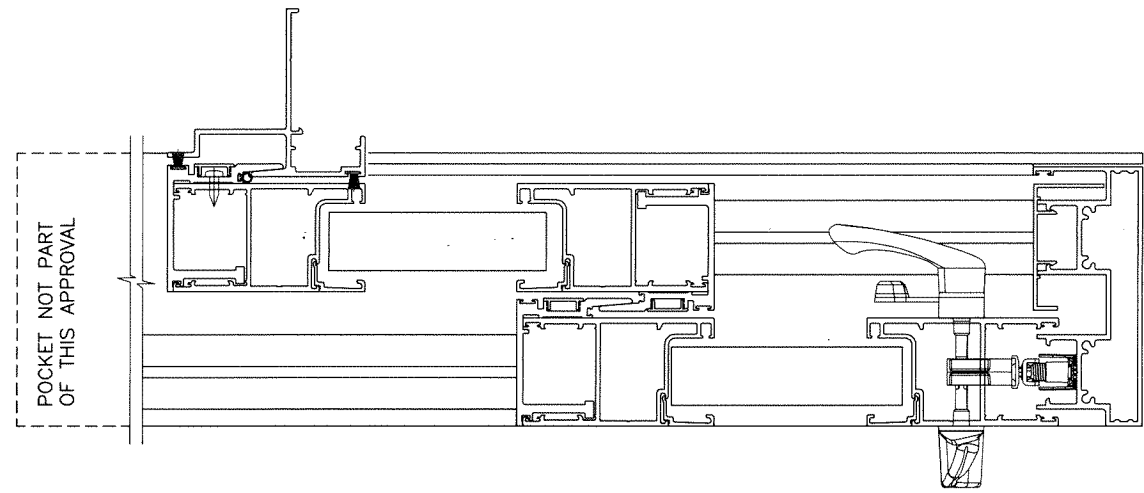
drawing no.
W15-83
 sheet 8 of 17



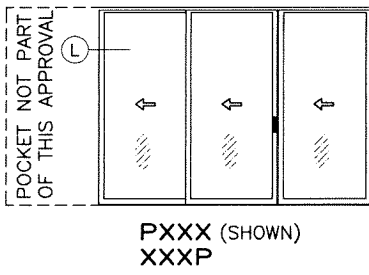
POCKET NOT PART OF THIS APPROVAL



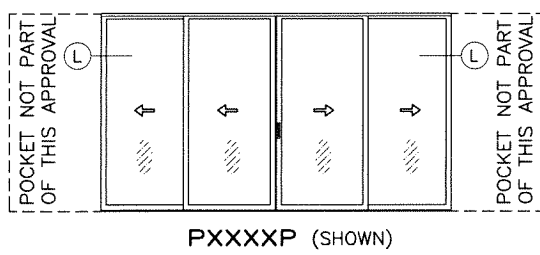
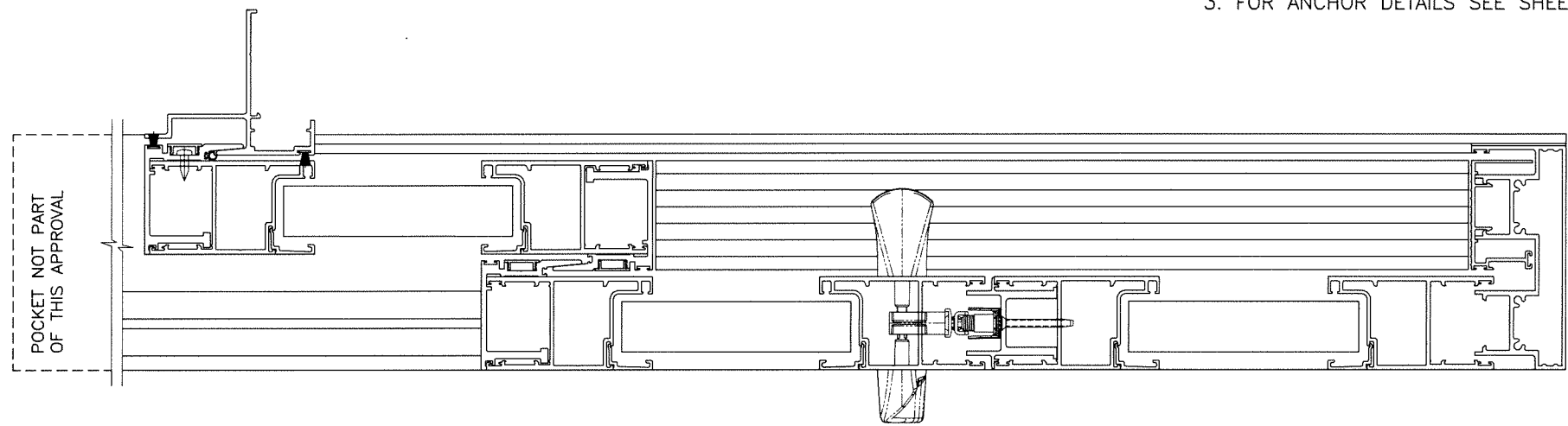
POCKET NOT PART OF THIS APPROVAL



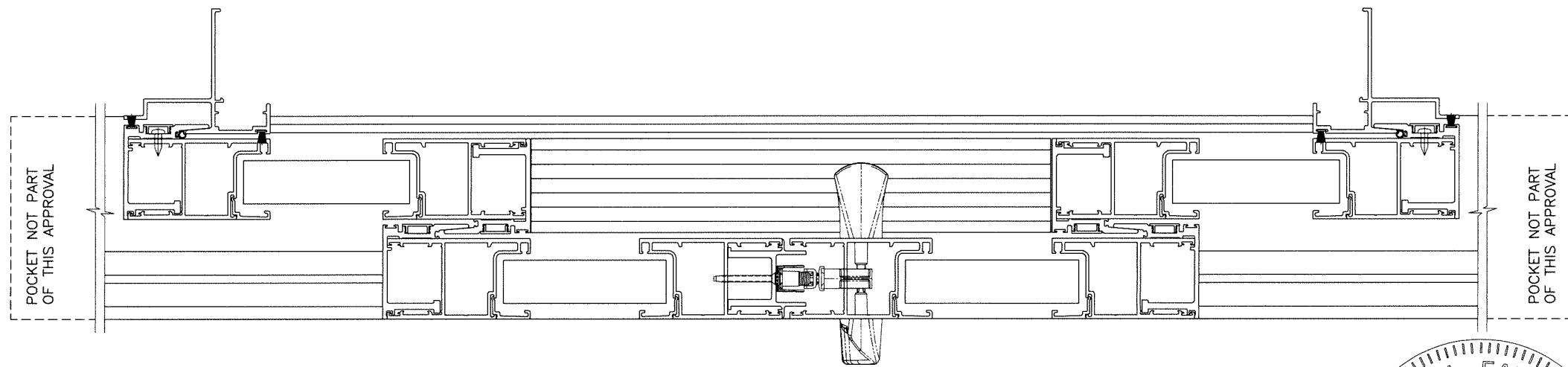
- NOTE:
1. CONFIGURATIONS SHOWN FOR ILLUSTRATION PURPOSES ONLY.
 2. FOR APPLICABLE DESIGN PRESSURES SEE INSTRUCTIONS IN SHEET 1.
 3. FOR ANCHOR DETAILS SEE SHEETS 10 THRU 14.



POCKET NOT PART OF THIS APPROVAL



POCKET NOT PART OF THIS APPROVAL



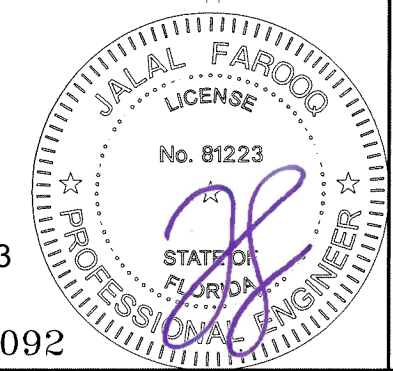
POCKET NOT PART OF THIS APPROVAL

**APPROVED CONFIGURATIONS
POCKETED DOORS**

LIMIT MAX. DOOR HEIGHT TO 120" FOR DOORS WITH POCKETS

Sealed: 7/24/2023

FL #19092

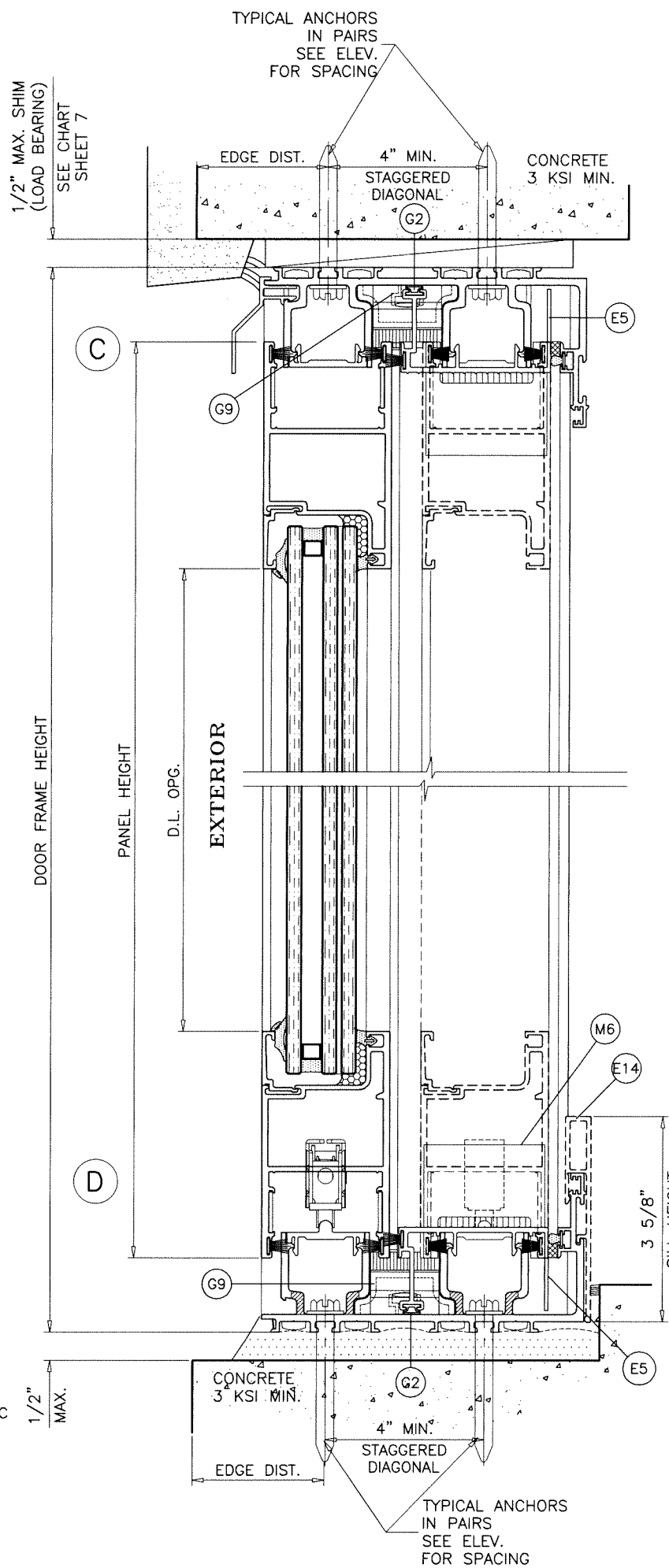
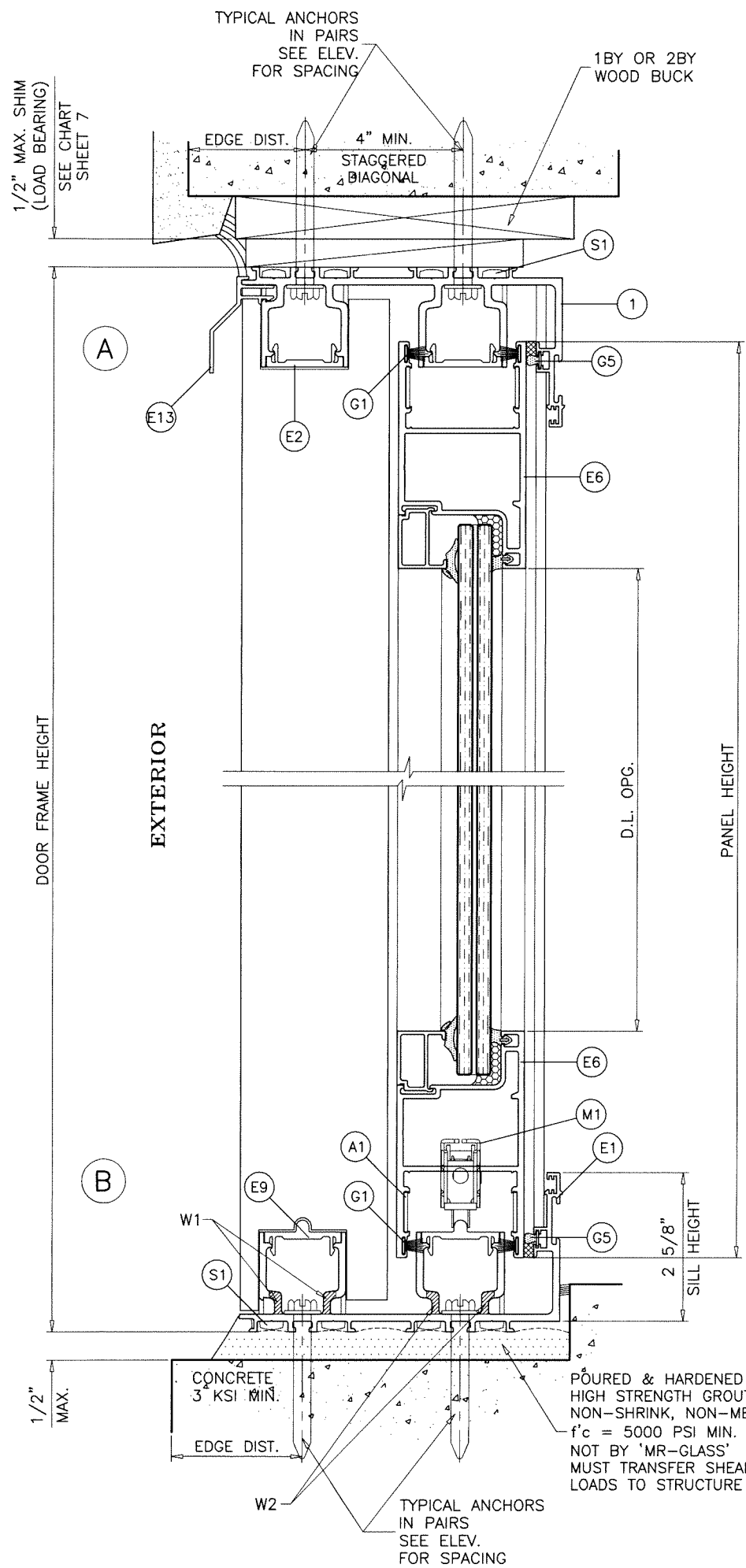


af c
AL-FAROOQ CORPORATION
 ENGINEERS & PRODUCT DEVELOPMENT
 9360 SUNSET DRIVE, SUITE 220
 MIAMI, FLORIDA 33173 (C.A.N. 3538)
 TEL. (305) 264-8100 FAX. (305) 262-6978
 COMP-ANL\W15-83MG

MG-1000 ALUM SLIDING GLASS DOOR (L.M.I.)
MR-GLASS DOORS & WINDOWS MANUFACTURING, LLC
 8051 N.W. 79th Place
 Medley, FL. 33166
 Tel. (305) 764-3963 Fax. (305) 470-8285

revisions:	no	date	by	description

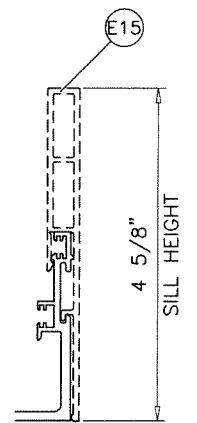
date: 10-28-15	scale: -	dr. by: TARIQ	chk. by:
drawing no. W15-83			
sheet 9 of 17			



WEEPHOLES:

- W1 = 1/4" X 1-1/2" LONG WEEP HOLES AT 5 1/2" FROM EACH END AND 16" O.C.
- W2 = 1/4" X 1-1/2" LONG WEEP HOLES
 (1) AT FIX. PANEL
 (3) AT MOV. PANEL

FOR INSTALLATIONS WHERE WATER INFILTRATION RESISTANCE IS REQUIRED AT TWO PANEL (XX) DOORS ONLY WITHOUT SILL RISER LIMIT MAX. EXT.(+) LOADS TO 70.0 PSF FOR 3-5/8" SILL RISER LIMIT MAX. EXT.(+) LOADS TO 80.0 PSF FOR 4-5/8" SILL RISER MAX. EXT.(+) LOADS = 120.0 PSF



Sealed: 7/24/2023

FL #19092

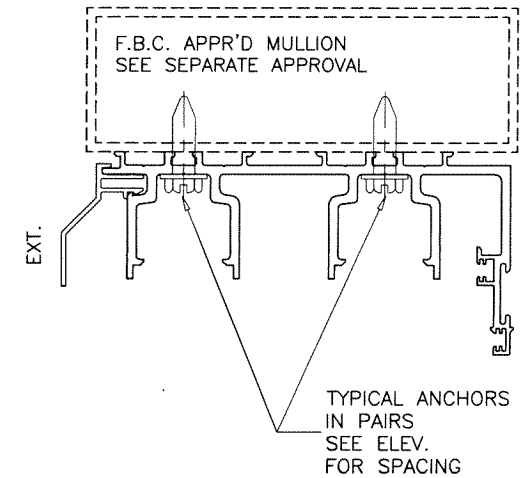
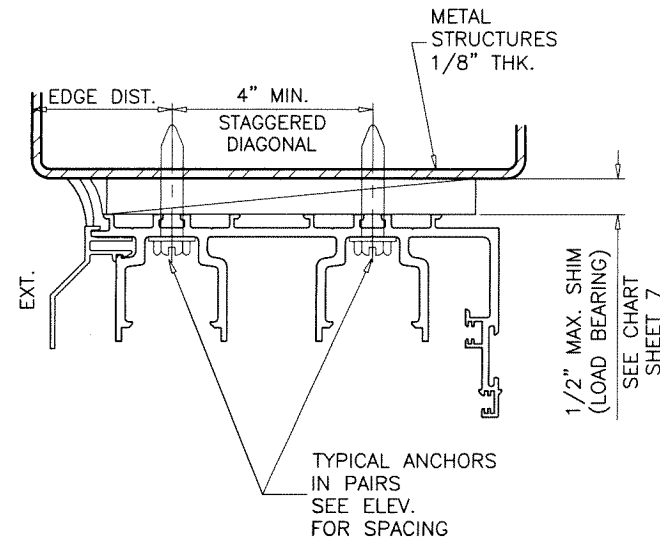
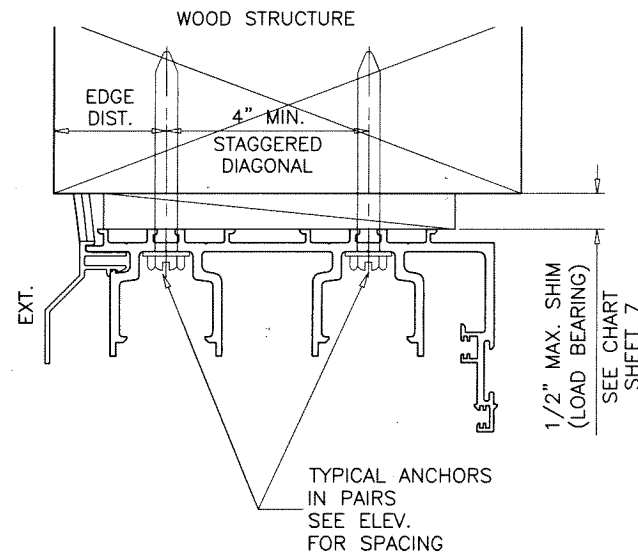
af c
AL-FAROOQ CORPORATION
 ENGINEERS & PRODUCT DEVELOPMENT
 9360 SUNSET DRIVE, SUITE 220
 MIAMI, FLORIDA 33173 (C.A.N. 3538)
 TEL. (305) 264-8100 FAX. (305) 262-6978
 COMP-ANL\W15-83MG

MG-1000 ALUM SLIDING GLASS DOOR (L.M.I.)
MR-GLASS DOORS & WINDOWS MANUFACTURING, LLC
 8051 N.W. 79th Place
 Medley, FL. 33166
 Tel. (305) 764-3963 Fax. (305) 470-8285

revisions:	
no	date by description

date: 10-28-15	scale: 3/8" = 1"
dr. by: FAROQ	chk. by:

drawing no. **W15-83**
 sheet 10 of 17



1BY OR 2BY WOOD BUCKS AND METAL STRUCTURE NOT BY 'MR-GLASS' MUST SUSTAIN LOADS IMPOSED BY GLAZING SYSTEM AND TRANSFER THEM TO THE BUILDING STRUCTURE.

TYPICAL ANCHORS: SEE ELEV. FOR SPACING

- TYPE 'A'- **5/16" DIA. ULTRACON BY 'DEWALT'** ($F_u=177$ KSI, $F_y=155$ KSI)
 INTO WOOD STRUCTURES
 2" MIN. PENETRATION INTO WOOD (HEAD/JAMBS)
 THRU 1BY OR 2BY BUCKS INTO CONC. OR BLOCKS
 1-1/4" MIN. EMBED INTO CONCRETE (HEAD)
 1-1/4" MIN. EMBED INTO CONC. OR BLOCKS (JAMBS)
 DIRECTLY INTO CONC. OR BLOCKS
 2" MIN. EMBED INTO CONCRETE (JAMBS)
 2" MIN. EMBED INTO GROUT-FILLED BLOCKS (JAMBS)

- TYPE 'B'- **5/16" DIA. ULTRACON BY 'DEWALT'** ($F_u=177$ KSI, $F_y=155$ KSI)
 DIRECTLY INTO CONCRETE
 2" MIN. EMBED (HEAD/SILL)

- TYPE 'C'- **5/16" DIA. TEKS OR SELF DRILLING SCREWS** (GRADE 5 CRS)
 INTO F.B.C. APPROVED MULLIONS
 OR
 INTO METAL STRUCTURES (HEAD/JAMBS)
 (3) THREADS MIN. TO EXTEND BEYOND METAL THICKNESS
 ALUMINUM: 1/8" THK. MIN. (6063-T5 MIN.)
 STEEL: 1/8" THK. MIN. ($F_y = 36$ KSI MIN.)
 (STEEL IN CONTACT WITH ALUMINUM TO BE PLATED OR PAINTED)

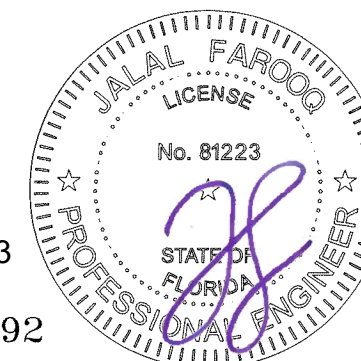
TYPICAL EDGE DISTANCE

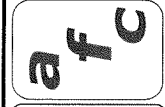
- INTO CONCRETE AT HEAD/SILL = 2-3/16" MIN.
- INTO CONCRETE AND BLOCKS AT JAMBS = 2-1/2" MIN.
- INTO WOOD STRUCTURE = 1" MIN.
- INTO METAL STRUCTURE = 3/4" MIN.

- WOOD AT HEAD OR JAMBS $SG = 0.55$ MIN.
- CONCRETE AT HEAD, SILL OR JAMBS $f'_c = 3000$ PSI MIN.
- C-90 HOLLOW/FILLED BLOCK AT JAMBS $f'_m = 2000$ PSI MIN.

Sealed: 7/24/2023

FL #19092





AL-FAROOQ CORPORATION
 ENGINEERS & PRODUCT DEVELOPMENT
 9360 SUNSET DRIVE, SUITE 220
 MIAMI, FLORIDA 33173
 TEL. (305) 264-8100 FAX. (305) 262-6978
 COMP-ANL W15-83MG

MG-1000 ALUM SLIDING GLASS DOOR (L.M.I.)

MR-GLASS DOORS & WINDOWS MANUFACTURING, LLC
 8051 N.W. 79th Place
 Medley, FL 33166
 Tel. (305) 764-3963 Fax. (305) 470-8285

no	date	description

date: 10-28-15

scale: 3/8" = 1"

dr. by: TARIQ

chk. by:

drawing no. **W15-83**

sheet 11 of 17

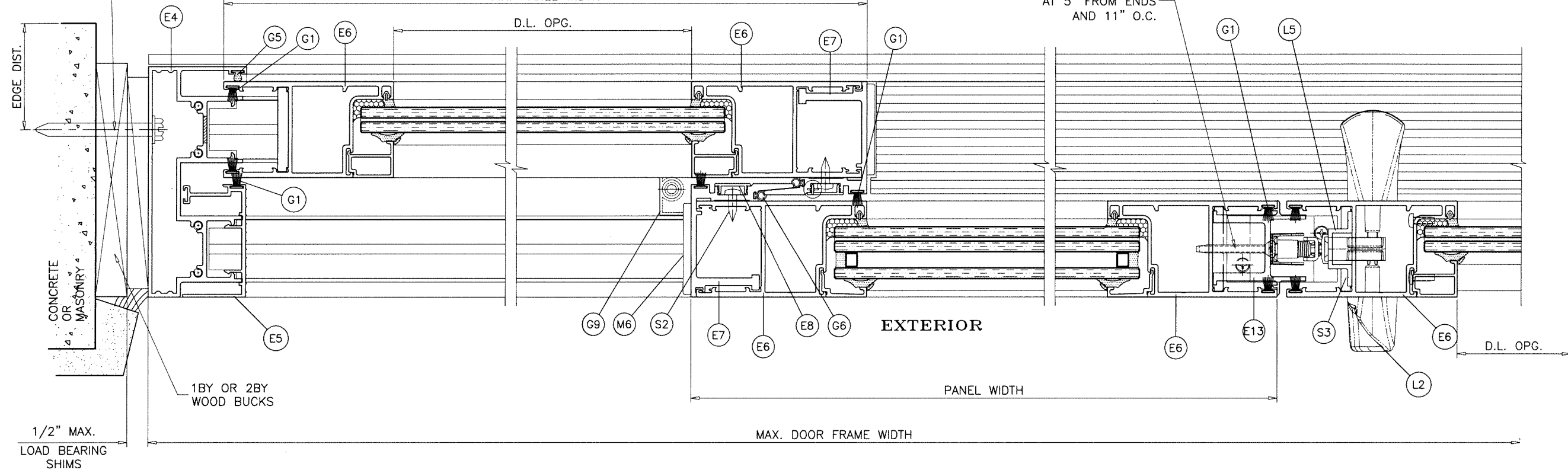
TYPICAL ANCHORS
SEE ELEV.
FOR SPACING

E ANCHORED JAMB

F STD. INTERLOCK

G STD. ASTRAGAL

#14 X 2-7/8" FH SDS
AT 5" FROM ENDS
AND 11" O.C.

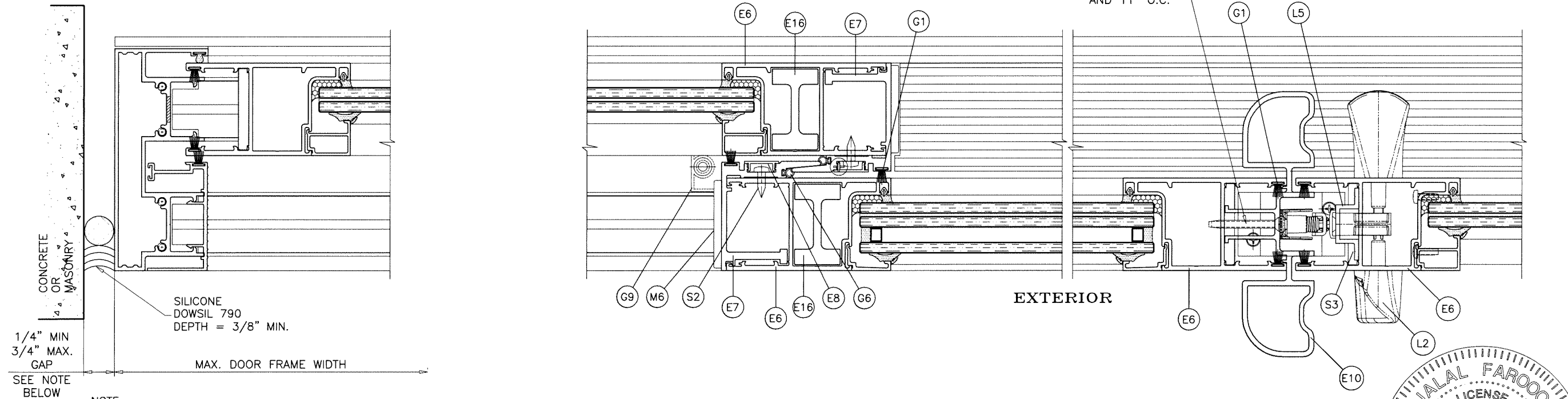


E1 UNANCHORED JAMB

F REINF. INTERLOCK

G REINF. ASTRAGAL

#14 X 2-7/8" FH SDS
AT 5" FROM ENDS
AND 11" O.C.



1/4" MIN
3/4" MAX.
GAP
SEE NOTE
BELOW

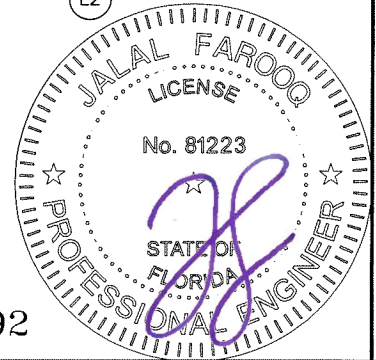
NOTE:
MAX. MOVEMENT CONSIDERED=100% STRETCH.
PLEASE REFER TO SEALANT MANUFACTURER'S DATA AND APPLICATION
MANUAL FOR COMPATIBILITY OF SEALANT TO SUBSTRATE & WINDOWALL
MATERIAL/FINISH AND COMPLIANCE FOR WARRANTY.
REFER TO ACI-117-10 FOR CONSTRUCTION TOLERANCES.

ALTERNATE SEALANTS AT JAMB GAPS CAN BE DESIGNED BY
ENGINEER OF RECORD BASED ON MANUFACTURER GUIDE LINES.

GAPS LESS THAN 1/4" MAY BE DESIGNED BY ENGINEER OF RECORD BY
THE USE OF BOND BREAKER TAPE OR 15% OF GAP ALLOWED MOVEMENT.

Sealed: 7/24/2023

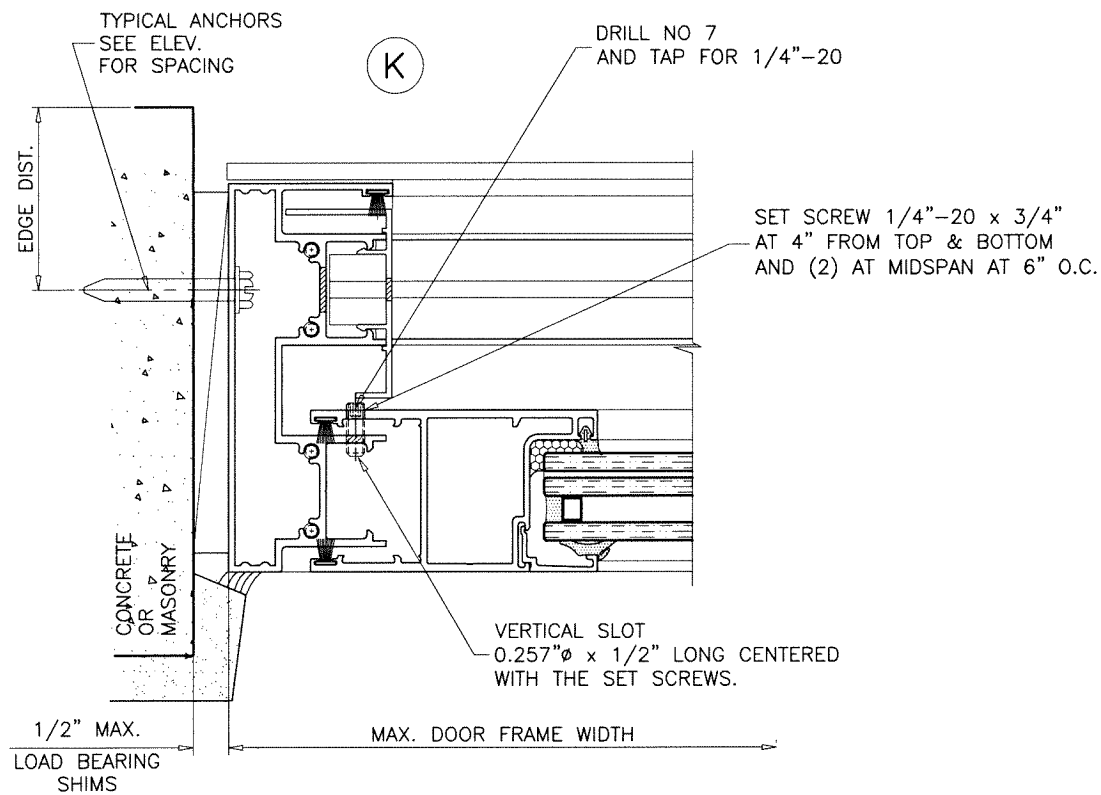
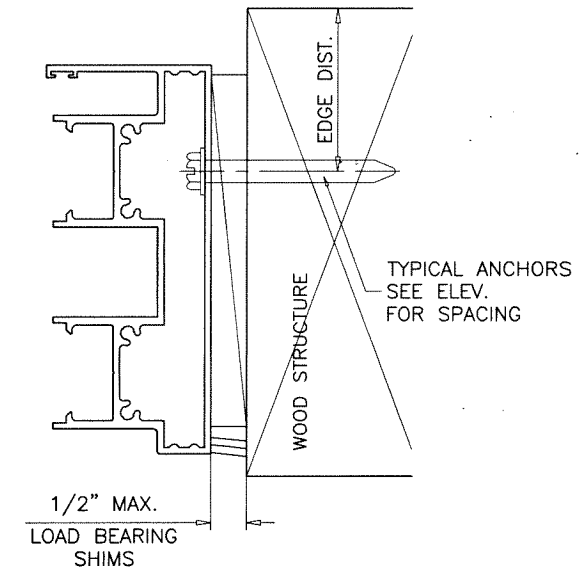
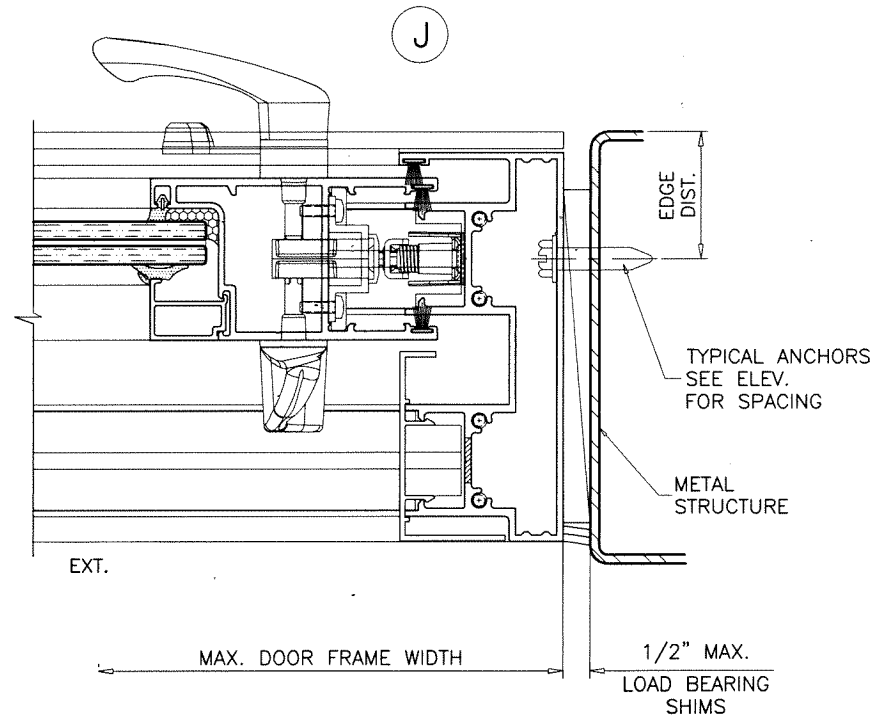
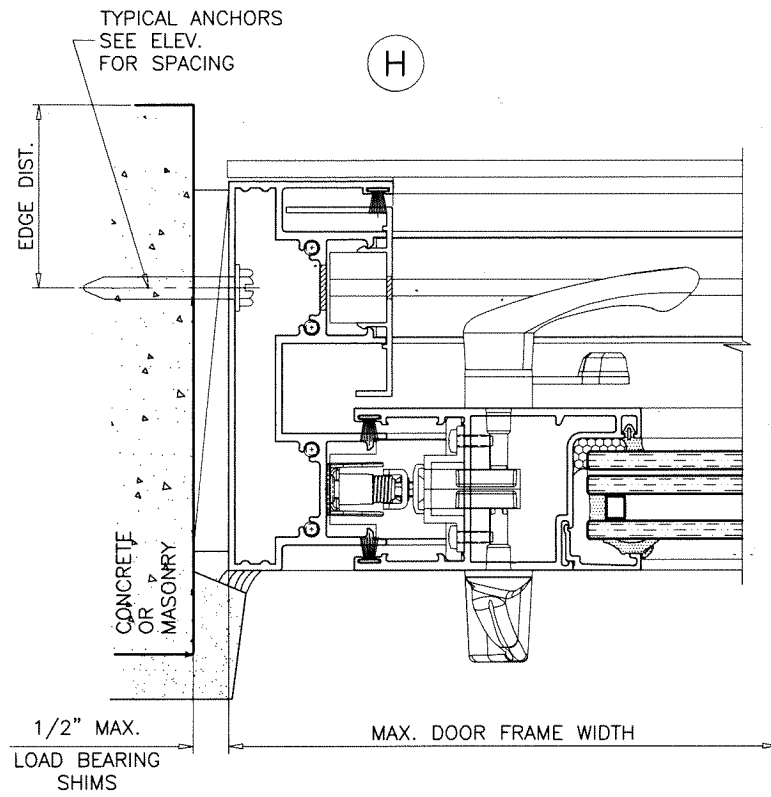
FL #19092



af c
AL-FAROOQ CORPORATION
ENGINEERS & PRODUCT DEVELOPMENT
9360 SUNSET DRIVE, SUITE 220
MIAMI, FLORIDA 33173
TEL. (305) 264-8100 FAX. (305) 262-6978
COMP-ANL W15-83MG

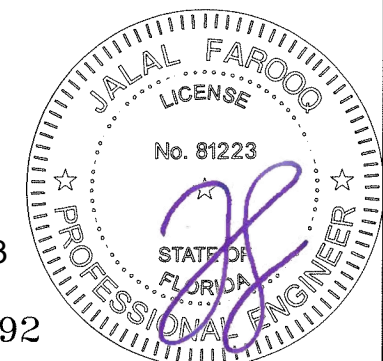
MG-1000 ALUM SLIDING GLASS DOOR (L.M.I.)
MR-GLASS DOORS & WINDOWS MANUFACTURING, LLC
8051 N.W. 79th Place
Medley, FL. 33166
Tel. (305) 764-3963 Fax. (305) 470-8285

revisions:	no	date	description
date:	10-28-15	scale:	3/8" = 1"
dr. by:	TARIQ	chk. by:	
drawing no.	W15-83		
sheet	12 of 17		



Sealed: 7/24/2023

FL #19092



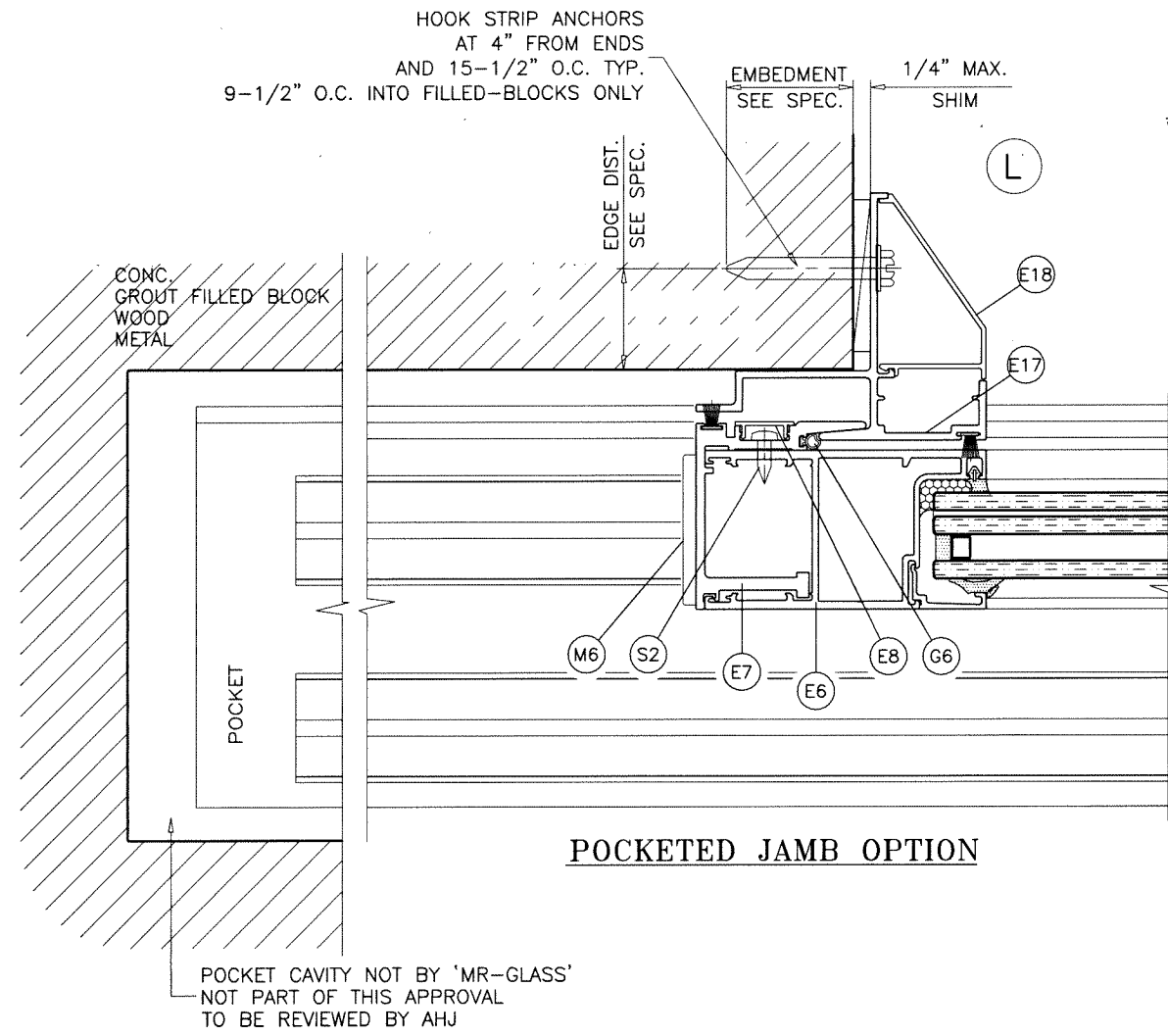
af c
AL-FAROOQ CORPORATION
 ENGINEERS & PRODUCT DEVELOPMENT
 9360 SUNSET DRIVE, SUITE 220
 MIAMI, FLORIDA 33173 (C.A.N. 3538)
 TEL. (305) 264-8100 FAX. (305) 262-6978
 COMP-ANL\W15-83MG

MG-1000 ALUM SLIDING GLASS DOOR (L.M.I.)
 MR-GLASS DOORS & WINDOWS MANUFACTURING, LLC
 8051 N.W. 79th Place
 Medley, FL. 33166
 Tel. (305) 764-3963 Fax. (305) 470-8285

no.	date	by	description

date: 10-28-15
 scale: 3/8" = 1"
 dr. by: TARIQ
 chk. by:

drawing no.
W15-83
 sheet 13 of 17



HOOK STRIP ANCHORS:

5/16" DIA. ULTRACON BY 'DEWALT' (Fu=177 KSI, Fy=155 KSI)
 INTO 2BY WOOD BUCKS OR WOOD STRUCTURES
 1-1/2" MIN. PENETRATION INTO WOOD

5/16" DIA. ULTRACON BY 'DEWALT' (Fu=177 KSI, Fy=155 KSI)
 THRU 1BY BUCKS INTO CONC. OR FILLED BLOCKS
 1-3/4" MIN. EMBED INTO CONC. OR FILLED BLOCKS
 DIRECTLY INTO CONC. OR FILLED BLOCKS
 1-3/4" MIN. EMBED INTO CONC. OR FILLED BLOCKS

5/16" DIA. TEKS OR SELF DRILLING SCREWS(GRADE 5 CRS)
 INTO METAL STRUCTURES
 (3) THREADS MIN. PENETRATION BEYOND SUBSTRATE
 ALUMINUM: 1/8" THK. MIN. (6063-T5 MIN.)
 STEEL: 1/8" THK. MIN. (Fy = 36 KSI MIN.)
 (STEEL IN CONTACT WITH ALUMINUM TO BE PLATED OR PAINTED)

ANCHOR EDGE DISTANCES

INTO CONCRETE OR BLOCKS = 1-1/4" MIN.
 INTO WOOD STRUCTURE = 1" MIN.
 INTO METAL STRUCTURE = 3/4" MIN.

WOOD AT JAMBS SG = 0.55 MIN.
 CONCRETE AT JAMBS f'c = 3000 PSI MIN.
 C-90 GROUT FILLED BLOCK AT JAMBS f'm = 2000 PSI MIN.



Sealed: 7/24/2023

FL #19092

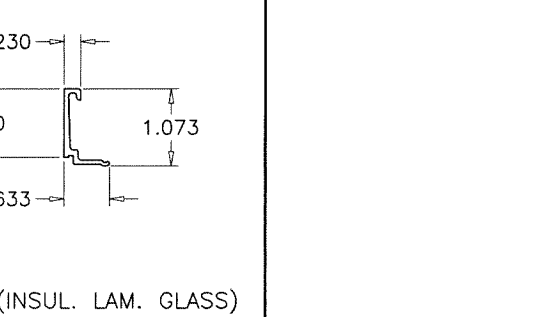
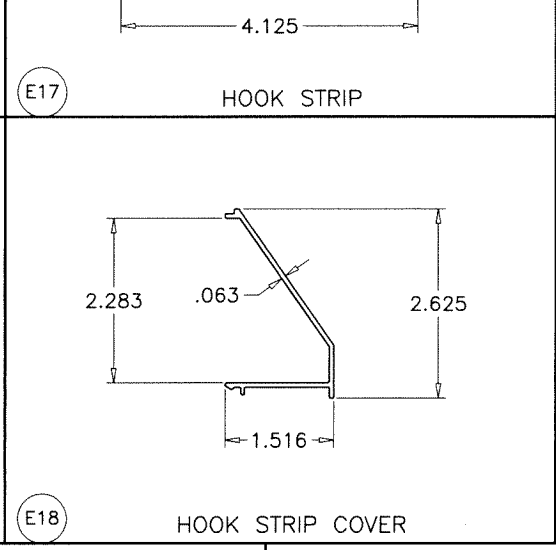
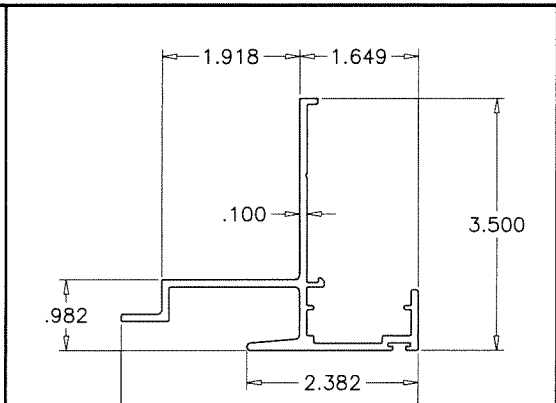
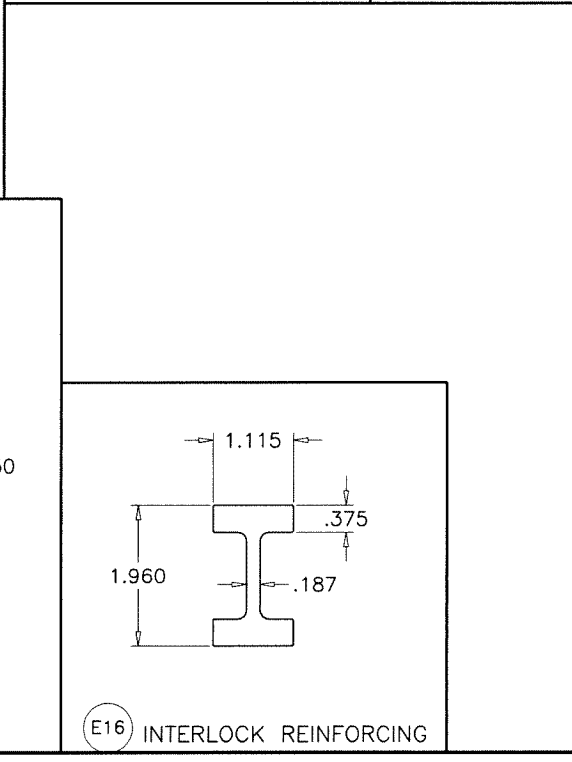
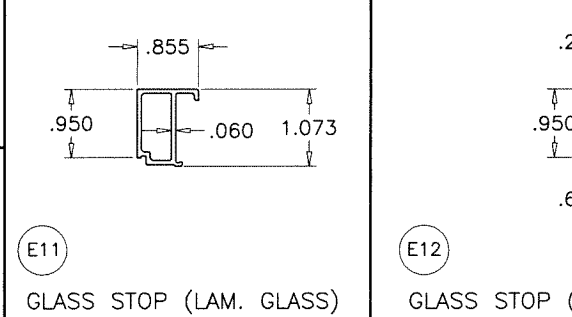
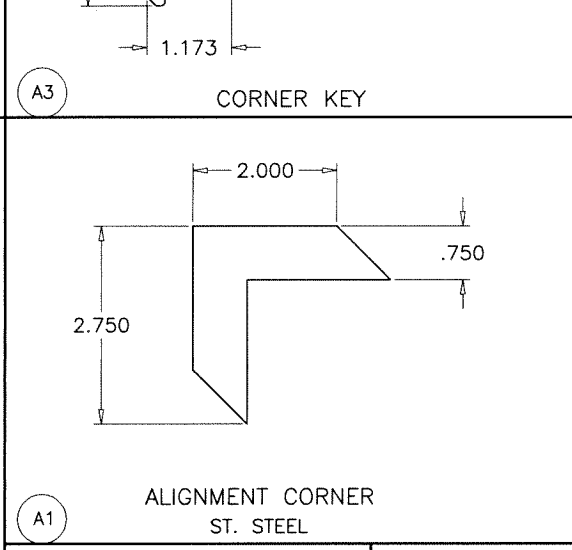
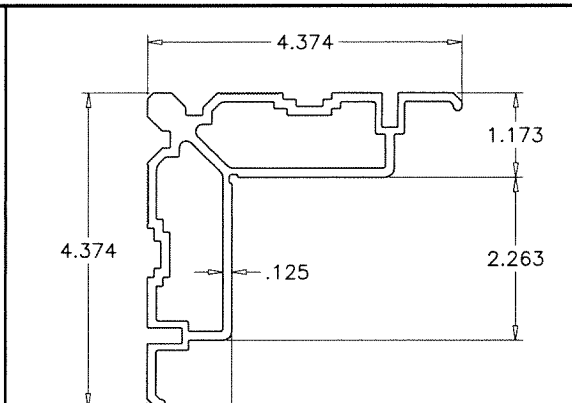
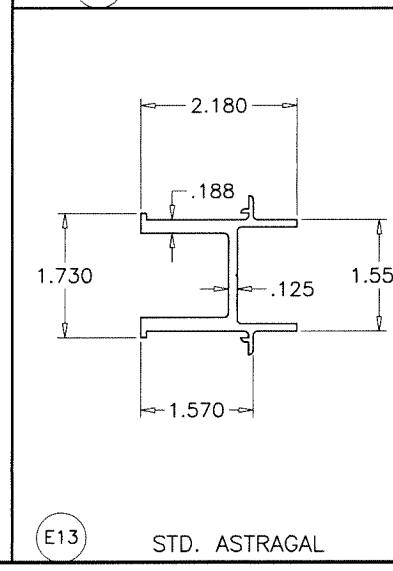
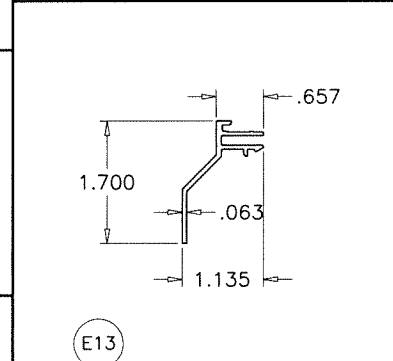
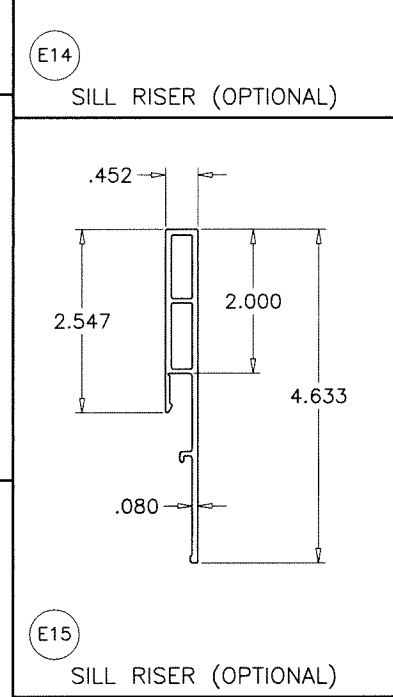
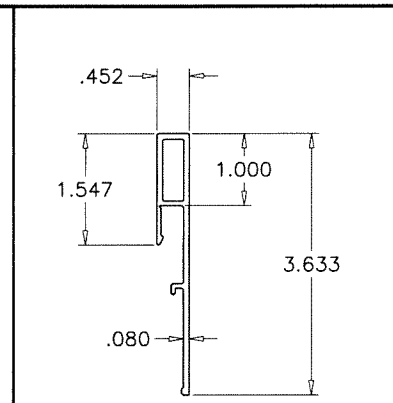
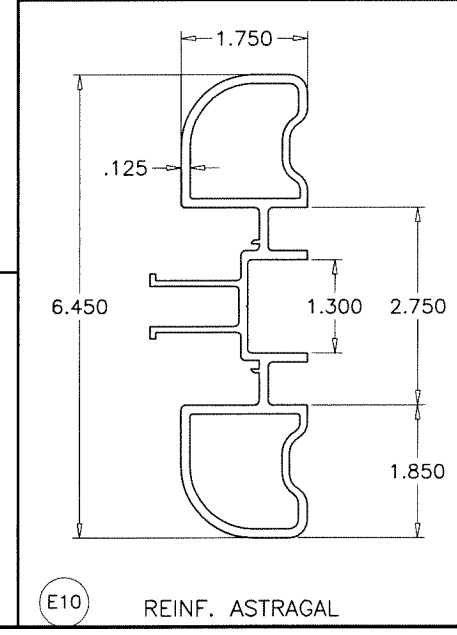
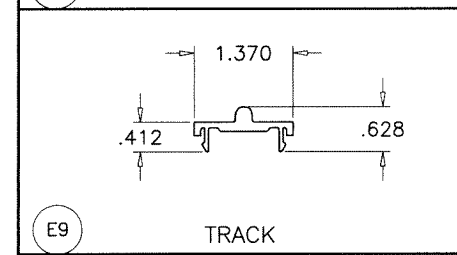
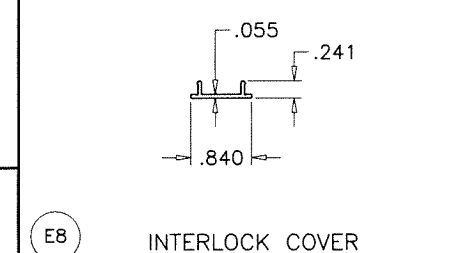
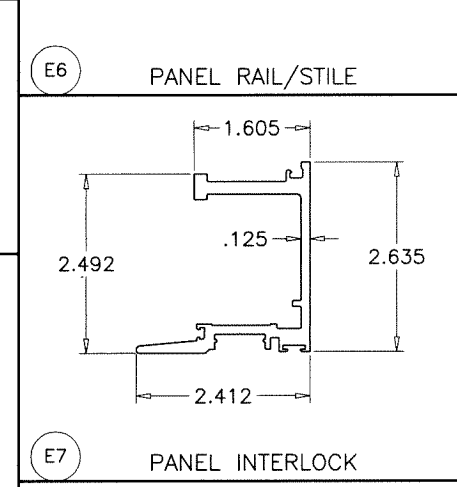
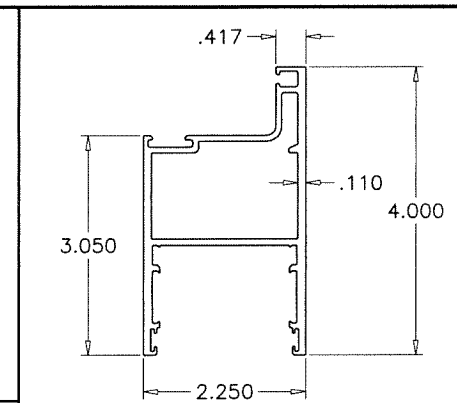
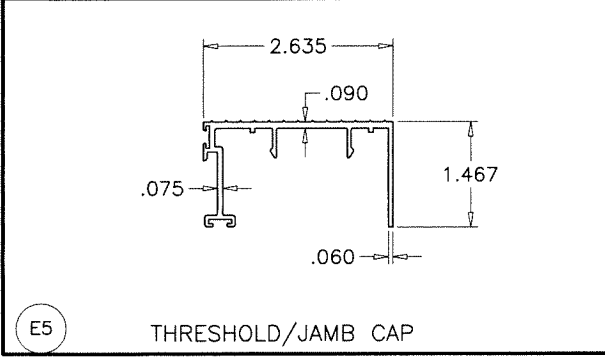
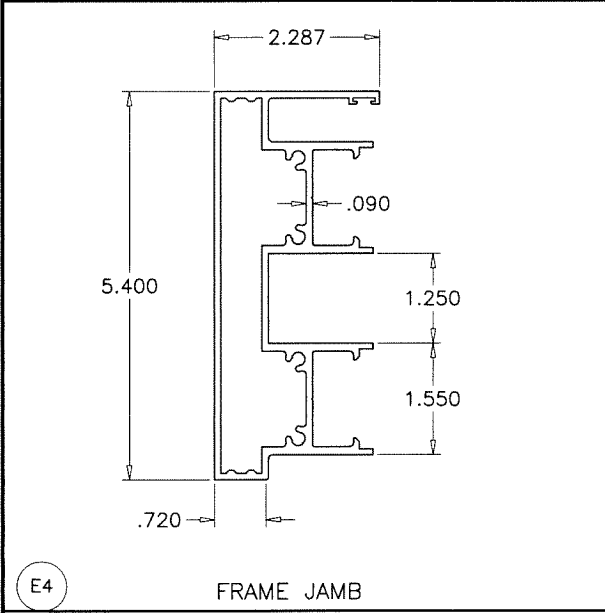
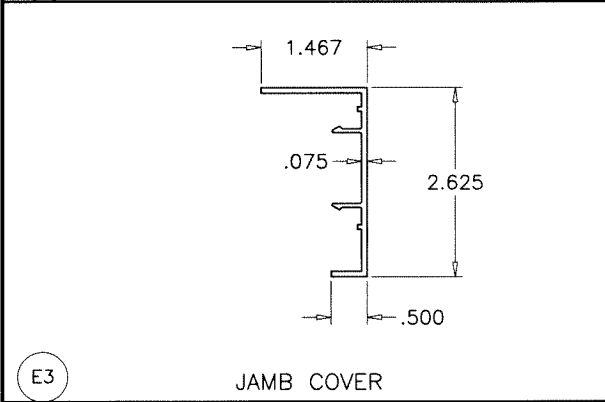
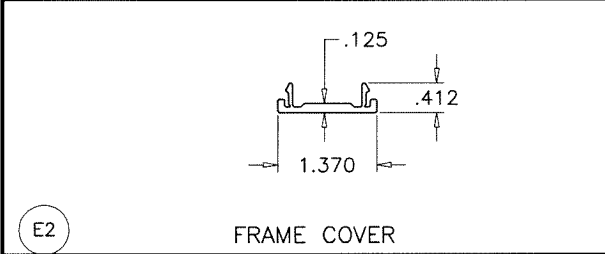
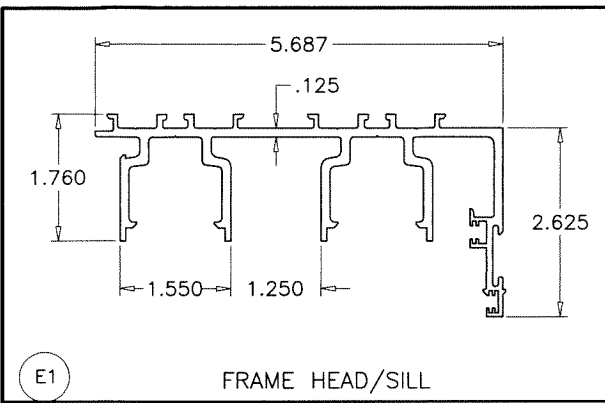
af c
AL-FAROOQ CORPORATION
 ENGINEERS & PRODUCT DEVELOPMENT
 9360 SUNSET DRIVE, SUITE 220
 MIAMI, FLORIDA 33173 (C.A.N. 3538)
 TEL. (305) 264-8100 FAX. (305) 262-6978
 COMP-ANL\W15-83MG

MG-1000 ALUM SLIDING GLASS DOOR (L.M.I.)
 MR-GLASS DOORS & WINDOWS MANUFACTURING, LLC
 8051 N.W. 79th Place
 Medley, FL. 33166
 Tel. (305) 764-3963 Fax. (305) 470-8285

revisions:	no	date	description

date: 10-28-15
 scale: 3/8" = 1"
 dr. by: TARIQ
 chk. by:

drawing no.
W15-83
 sheet 14 of 17



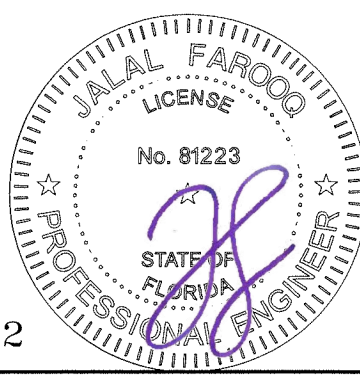
af c
AL-FAROOQ CORPORATION
 ENGINEERS & PRODUCT DEVELOPMENT
 9360 SUNSET DRIVE, SUITE 220 (C.A.N. 3538)
 MIAMI, FLORIDA 33173
 TEL. (305) 264-8100 FAX. (305) 262-6978
 COMP-ANL\W15-83MG

MG-1000 ALUM SLIDING GLASS DOOR (L.M.I.)
MR-GLASS DOORS & WINDOWS MANUFACTURING, LLC
 8051 N.W. 79th Place
 Medley, FL, 33166
 Tel. (305) 764-3963 Fax. (305) 470-8285

revisions:	no	date	by	description

date: 10-28-15
 scale: 3/8" = 1"
 dr. by: TARIQ
 chk. by:

drawing no.
W15-83
 sheet 15 of 17



Sealed: 7/24/2023

FL #19092

ITEM #	PART #	QUANTITY	DESCRIPTION	MATERIAL	MANF./SUPPLIER/REMARKS
E1	E1001	2	FRAME HEAD/SILL	6005-T5	-
E2	E108	AS REQD.	FRAME COVER	6063-T5	-
E3	-	AS REQD.	JAMB COVER	6063-T5	-
E4	E1002	2	FRAME JAMB	6063-T6	-
E5	E1005	AS REQD.	THRESHOLD/JAMB CAP	6063-T5	-
E6	E1010	AS REQD.	PANEL RAIL/STILE	6005-T5	-
E7	E1011	AS REQD.	PANEL INTERLOCK	6005-T5	-
E8	E1018	AS REQD.	INTERLOCK COVER	6063-T5	-
E9	E1007	1/ MOV. PANEL	TRACK	6005-T5	-
E10	E1013	AS REQD.	REINF. ASTRAGAL	6005-T5	-
E11	E9001	4/ PANEL	GLASS STOP (LAM. GLASS)	6063-T6	-
E12	E9002	4/ PANEL	GLASS STOP (INSUL. LAM. GLASS)	6063-T6	-
E13	E1012	AS REQD.	STD. ASTRAGAL	6005-T5	-
E14	MGR-1014	AS REQD.	3-5/8" SILL RISER	6063-T6	OPTIONAL
E15	MGR-1019	AS REQD.	4-5/8" SILL RISER	6063-T6	OPTIONAL
E16	E9008	AS REQD.	INTERLOCK REINFORCING	6063-T6	-
E17	E1022	AS REQD.	HOOK STRIP	6063-T6	-
E18	E1023	AS REQD.	HOOK STRIP COVER	6063-T6	-
G1	W71325NK	AS REQD.	TRI FIN PILE W'STRIPPING	-	ULTRAFAB
G2	-	AS REQD.	COMPRESSION GASKET	EPDM	DUROMETER 70±5 SHORE A
G3	-	AS REQD.	OFFSET GLAZING GASKET	SANTOPRENE	DUROMETER 70±5 SHORE A
G4	-	AS REQD.	WEDGE GASKET	EPDM	DUROMETER 70±5 SHORE A
G5	E516	AS REQD.	AIR SEAL GASKET	SANTOPRENE	ULTRAFAB
G6	E238	AS REQD.	INTERLOCK GASKET	POLYPROPYLENE	ULTRAFAB
G8	-	-	1/4" THK. FOAM PAD	POLYETHYLENE	-
G9	-	-	AIR SEAL BRIDGE AT INTERLOCK	POLYAMIDE	-
G10	-	-	AIR SEAL BRIDGE AT MTG. STILE	POLYAMIDE	-
G11	-	AS REQD.	SETTING BLOCKS	EPDM	DUROMETER 80±5 SHORE A
A1	-	-	ALIGNMENT CORNER	ST. STEEL	-
A3	-	-	CORNER KEY	6063-T6	-
L1	PS01-7002	-	2 POINT MORTISE LOCK & HANDLE	-	INTERLOCK
L2	PS01-7102	-	2 POINT MORTISE LOCK & HANDLE	-	INTERLOCK
L3	PS01-1005	-	ADJUSTABLE STRIKER	-	INTERLOCK
L5	-	-	LOCK RECIEVER	6063-T5	-
M1	-	2 PANEL	ROLLER ASSEMBLY AT 9" FROM ENDS	ST. STEEL/ACETAL	FASTENED WITH (2) 12-24 X 3/4" PH MS
M6	-	AS REQD.	PANEL GUIDES	NYLON	-
M7	-	AS REQD.	PANEL GUIDES	NYLON	-
S1	#12 X 1 1/2"	4/ CORNER	FRAME ASSEMBLY FASTENERS	ST. STEEL	HWH SDS
S2	10-24 X 1/2"	AS REQD.	INTERLOCK FASTENERS, AT 6" FROM ENDS AND 12" O.C.	ST. STEEL	PH TC MS
S3	#8-18 X 1/2"	AS REQD.	LOCK RECIEVER FASTENERS	AISI 304	PHILIP PH SMS
S4	1/4-20 X 1/2"	AS REQD.	PANEL ASSEMBLY FASTENERS	ST. STEEL	FH SMS

SEALANT:

ALL JOINTS AND FRAME CONNECTIONS SEALED WITH WHITE/ALUMINUM COLORED SILICONE.

LOCKS:

SURFACE MOUNT METALLIC THREE PLY DUAL HOOK LOCK AT 38-1/2" FROM BOTTOM FASTENED TO LOCK STILE WITH (2) 10-24 X 1/2" FH TC MS

SURFACE MOUNT METALLIC HANDLE AT 38-1/2" FROM BOTTOM FASTENED TO LOCK STILE WITH (2) 8-32 X 2-5/8" FH MS

SURFACE MOUNT METALLIC KEEPER FACING LOCK AT 38 1/2" FROM BOTTOM FASTENED WITH (1) #14 X 2-7/8" FH SDS AND (1) 12-24 X 1/2" PH MS

af c
AL-FAROOQ CORPORATION
 ENGINEERS & PRODUCT DEVELOPMENT
 9360 SUNSET DRIVE, SUITE 220 (C.A.N. 3538)
 MIAMI, FLORIDA 33173 FAX. (305) 262-6978
 TEL. (305) 264-8100

MG-1000 ALUM SLIDING GLASS DOOR (L.M.I.)
MR-GLASS DOORS & WINDOWS MANUFACTURING, LLC
 8051 N.W. 79th Place
 Medley, FL. 33166
 Tel. (305) 764-3963 Fax. (305) 470-8285

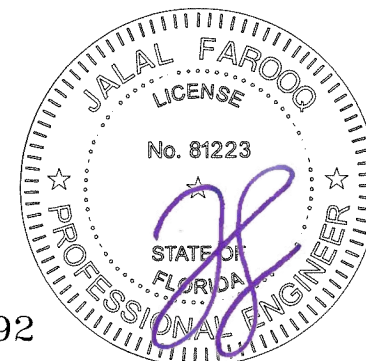
revisions:	no	date	by	description

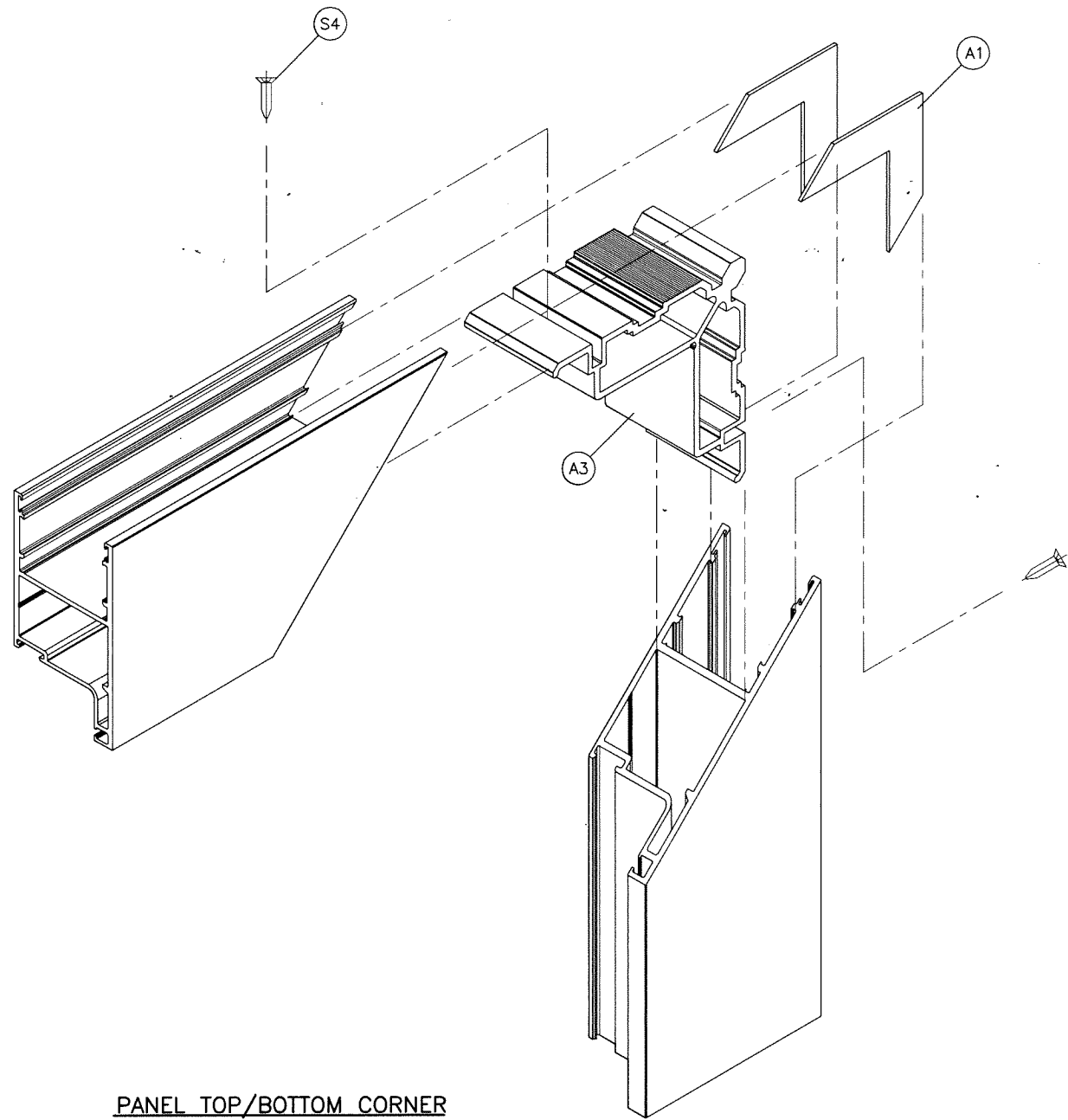
date:	10-28-15
scale:	3/8" = 1"
dr. by:	TARIQ
chk. by:	

drawing no.
W15-83
 sheet 16 of 17

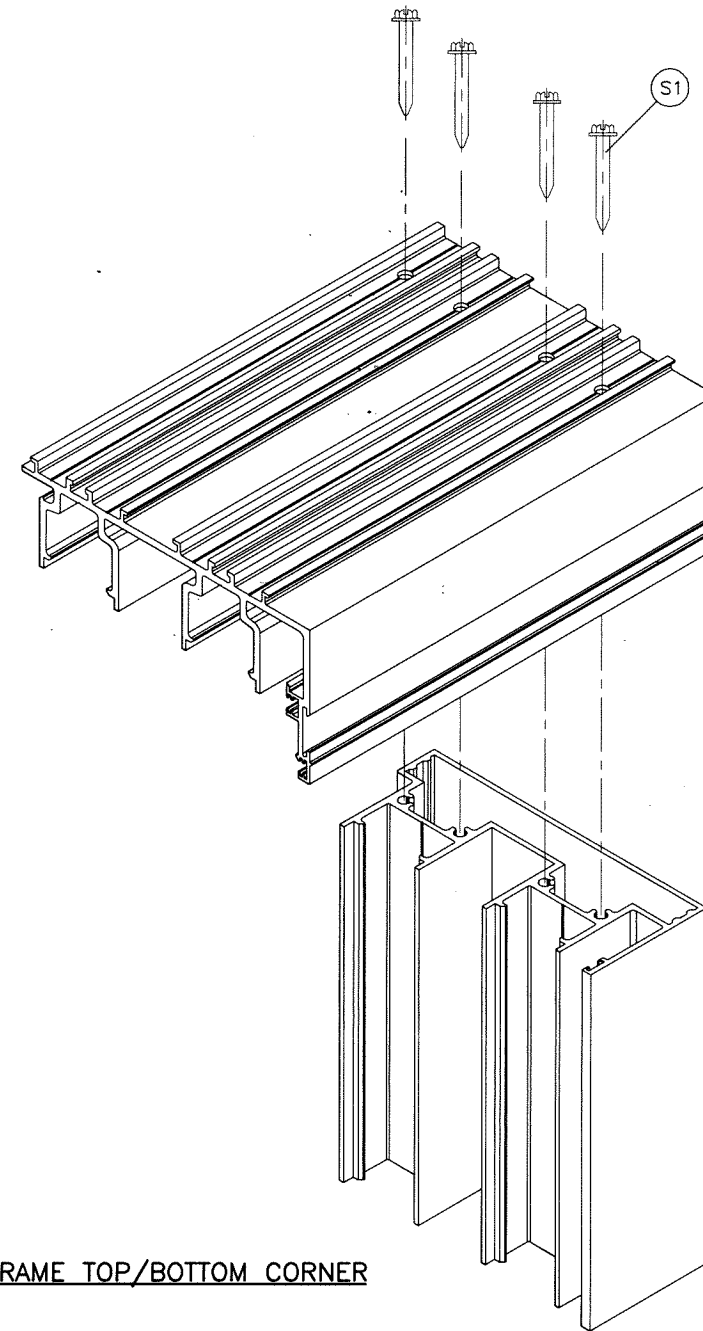
Sealed: 7/24/2023

FL #19092





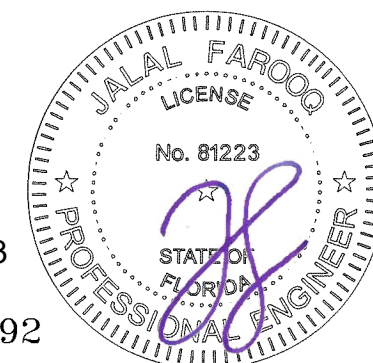
PANEL TOP/BOTTOM CORNER



FRAME TOP/BOTTOM CORNER

Sealed: 7/24/2023

FL #19092



no	date	by	description

date: 10-28-15
 scale: 3/8" = 1"
 dr. by: TARIQ
 chk. by:

drawing no.
W15-83
 sheet 17 of 17

AL-FAROOQ CORPORATION
 ENGINEERS & PRODUCT DEVELOPMENT
 9360 SUNSET DRIVE, SUITE 220
 MIAMI, FLORIDA 33173 (C.A.N. 3538)
 TEL. (305) 264-8100 FAX. (305) 262-6978

MG-1000 ALUM SLIDING GLASS DOOR (L.M.I.)
MR-GLASS DOORS & WINDOWS MANUFACTURING, LLC
 8051 N.W. 79th Place
 Medley, FL. 33166
 Tel. (305) 764-3963 Fax. (305) 470-8285

COMP-ANL W15-83MG