



[DBPR HOME](#) | [ABOUT DBPR](#) | [DBPR DIVISIONS](#) | [CONTACT DBPR](#)

[BCIS Home](#) | [Log In](#) | [User Registration](#) | [Hot Topics](#) | [Submit Surcharge](#) | [Stats & Facts](#) | [Publications](#) | [Contact Us](#) | [BCIS Site Map](#) | [Links](#) | [Search](#)



Product Approval
USER: Public User

[Product Approval Menu](#) > [Product or Application Search](#) > [Application List](#) > **Application Detail**

OFFICE OF THE SECRETARY

FL #	FL41887-R1								
Application Type	Revision								
Code Version	2023								
Application Status	Approved								
Comments									
Archived	<input type="checkbox"/>								
Product Manufacturer	Mr-Glass Doors & Windows Manufacturing, LLC								
Address/Phone/Email	8051 NW 79th Place Medley, FL 33166 (305) 470-8284 ulises@mrglasswindows.com								
Authorized Signature	Ulises Senaris ulises@mrglasswindows.com								
Technical Representative	Augusto Arias								
Address/Phone/Email	8120 NW 84th St Medley, FL 33166 (305) 470-8284 aarias@mrglasswindows.com								
Quality Assurance Representative									
Address/Phone/Email									
Category	Windows								
Subcategory	Single Hung								
Compliance Method	Evaluation Report from a Florida Registered Architect or a Licensed Florida Professional Engineer <input type="checkbox"/> Evaluation Report - Hardcopy Received								
Florida Engineer or Architect Name who developed the Evaluation Report	Jalal Farooq								
Florida License	PE-81223								
Quality Assurance Entity	Keystone Certifications, Inc.								
Quality Assurance Contract Expiration Date	08/27/2025								
Validated By	Abel Carrasco, PE <input checked="" type="checkbox"/> Validation Checklist - Hardcopy Received								
Certificate of Independence	FL41887 R1 COI SS - Certificate of Independence 2023.pdf								
Referenced Standard and Year (of Standard)	<table border="0"> <thead> <tr> <th>Standard</th> <th>Year</th> </tr> </thead> <tbody> <tr> <td>TAS 201</td> <td>1994</td> </tr> <tr> <td>TAS 202</td> <td>1994</td> </tr> <tr> <td>TAS 203</td> <td>1994</td> </tr> </tbody> </table>	Standard	Year	TAS 201	1994	TAS 202	1994	TAS 203	1994
Standard	Year								
TAS 201	1994								
TAS 202	1994								
TAS 203	1994								
Equivalence of Product Standards Certified By									
Sections from the Code									

Product Approval Method Method 1 Option D

Date Submitted 07/25/2023
 Date Validated 07/25/2023
 Date Pending FBC Approval 08/01/2023
 Date Approved 10/18/2023

Summary of Products

FL #	Model, Number or Name	Description
41887.1	Series MG-350 Aluminum Single Hung Window	Large missile impact resistant aluminum single hung window
Limits of Use Approved for use in HVHZ: Yes Approved for use outside HVHZ: Yes Impact Resistant: Yes Design Pressure: +65/-80 Other: See attached drawing 23-02F for span vs. load combination and installation details		Installation Instructions FL41887 R1 II SS - MG-350 SH (LMI) -DWG 23-02F 2023.pdf Verified By: Jalal Farooq PE # 81223 Created by Independent Third Party: Yes Evaluation Reports FL41887 R1 AE SS - MG-350 SH (LMI) -PAE 2023.pdf Created by Independent Third Party: Yes

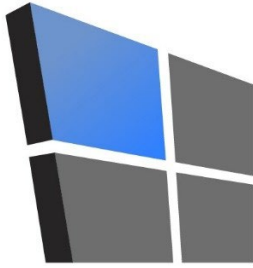
[Back](#) [Next](#)

[Contact Us](#) :: [2601 Blair Stone Road, Tallahassee FL 32399](#) Phone: 850-487-1824

The State of Florida is an AA/EEO employer. [Copyright 2007-2013 State of Florida.](#) :: [Privacy Statement](#) :: [Accessibility Statement](#) :: [Refund Statement](#)

Under Florida law, email addresses are public records. If you do not want your e-mail address released in response to a public-records request, do not send electronic mail to this entity. Instead, contact the office by phone or by traditional mail. If you have any questions, please contact 850.487.1395. *Pursuant to Section 455.275(1), Florida Statutes, effective October 1, 2012, licensees licensed under Chapter 455, F.S. must provide the Department with an email address if they have one. The emails provided may be used for official communication with the licensee. However email addresses are public record. If you do not wish to supply a personal address, please provide the Department with an email address which can be made available to the public. To determine if you are a licensee under Chapter 455, F.S., please click [here](#).





AL-FAROOQ CORPORATION

CONSULTING ENGINEERS & PRODUCT DEVELOPMENT

PRODUCT APPROVAL EVALUATION RULE CHAPTER #61G20-3 • METHOD 1 OPTION D

FL 41887

Date: 07/21/2023

Detailed Product Description:

Manufacturer: MR-GLASS DOORS & WINDOWS MANUFACTURING LLC.

Manufacturer Address: 8051 NW 79th PLACE, MEDLEY, FL 33166

Model Name: SERIES MG-350 ALUMINUM SINGLE HUNG WINDOW

Maximum Load: +65 PSF, -80 PSF (Large Missile Impact)

Installation Drawings # 23-02F

This product complies with the High Velocity Hurricane Zone (HVHZ) testing requirements.

For maximum sizes, combination of span vs loads and anchor type refer to installation drawings.

Comparative analysis used Yes No

Mandatory Tests (Tested in accordance with AAMA 101/I.S.2/NAFS/TAS-202)

TEST	DESCRIPTION	TEST LOCATION	TEST REPORT	TEST REPORT #	Test Sealed by
ASTM E283	Air Infiltration Leakage	Hurricane Engineering & Testing, Inc	11/14/2022	HETI-22-7211	Dr. Ram Tewari, PE
ASTM E331 OR ASTM 547 & TAS 202	Water Penetration	Hurricane Engineering & Testing, Inc	11/14/2022 11/09/2022	HETI-22-7211 HETI 22-7232	Dr. Ram Tewari, PE
ASTM E330 & TAS 202	Uniform Static Air Press.	Hurricane Engineering & Testing, Inc	11/14/2022 11/09/2022 01/11/2023	HETI-22-7211 HETI 22-7232 HETI 23-8000	Dr. Ram Tewari, PE
ASTM F 588	Forced Entry	Hurricane Engineering & Testing, Inc	11/14/2022	HETI-22-7211	Dr. Ram Tewari, PE

Supplemental Tests (Tested in accordance with TAS-201 and TAS-203)

TEST	DESCRIPTION	TEST LOCATION	TEST REPORT	TEST REPORT #	Test Sealed by
FBC 1626.2 (TAS 201 & 203) ASTME1886/1996	Large Missile Impact & Cyclic	Hurricane Engineering & Testing, Inc	11/14/2022 11/09/2022 01/11/2023	HETI-22-7211 HETI 22-7232 HETI 23-8000	Dr. Ram Tewari, PE

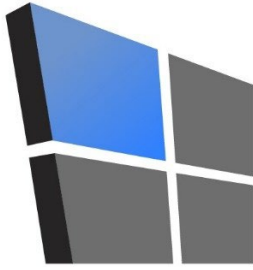
Under the limitations of the attached installation drawings, to the best of my knowledge and ability, the above product conforms to the requirements of the 2023 Florida Building Code.

Evaluation Report Engineer:

Jalal Farooq PE # 81223
Al-Farooq Corporation EB # 3538



Sealed: 7/21/2023



AL-FAROOQ CORPORATION

CONSULTING ENGINEERS & PRODUCT DEVELOPMENT

January 23, 2023

Product Approval Administrator
Building Codes & Standards Section
Department of Business & Professional Regulations
1940 North Monroe Street, Suite 90
Tallahassee, FL 32399-2100

To whom it may concern,

As the design engineer retained to prepare the product approval(s) associated with this letter as shown below on this same web page, I do hereby declare that I do not have and will not have any financial interest in any company manufacturing or distributing the referenced product(s), nor do I have or will have any financial interest with any other entity involved in the approval process of the referenced product(s).

Sincerely,

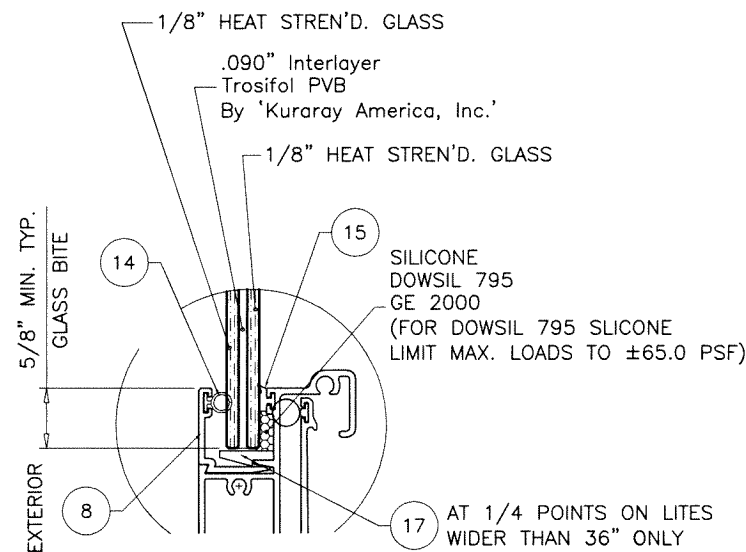


Jalal Farooq, P.E.
CFO

Sealed: 1/23/2023

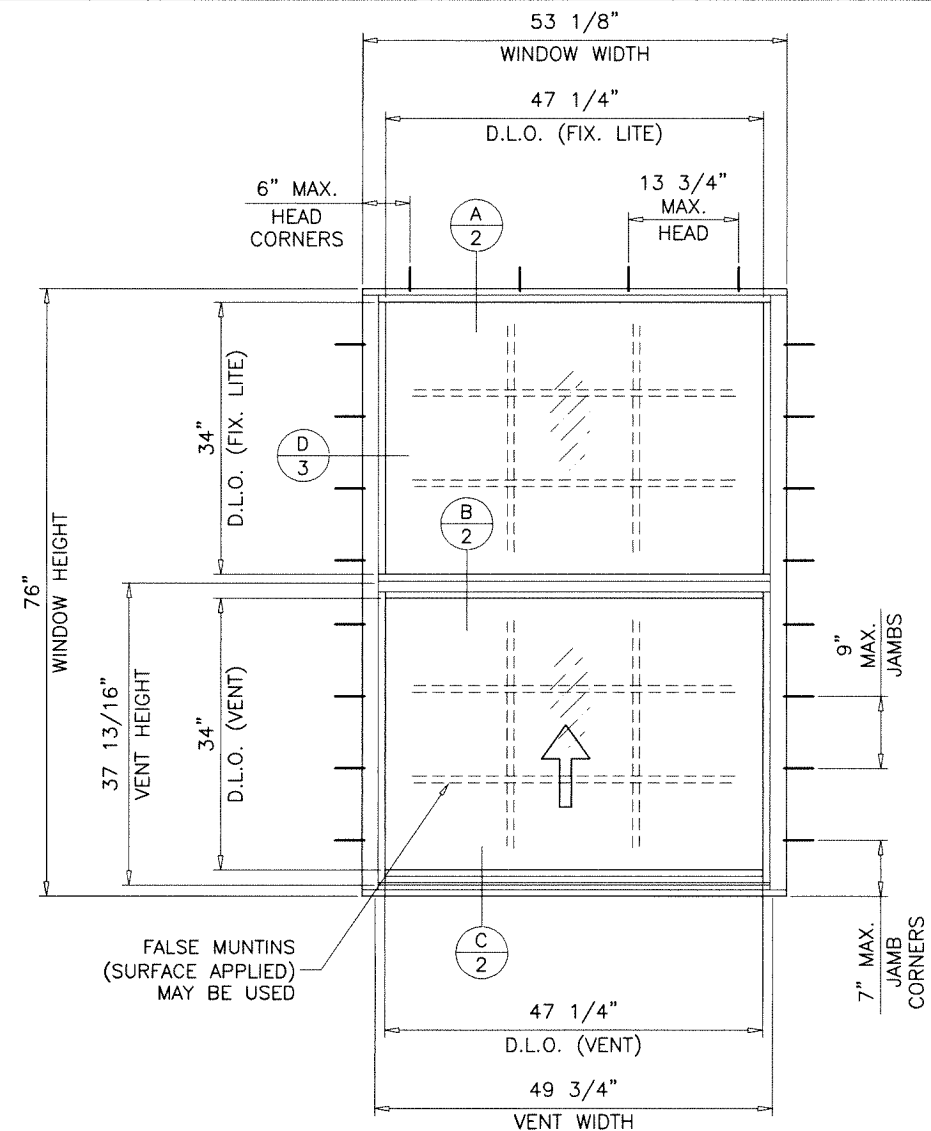
DESIGN LOAD CAPACITY - PSF			
FRAME DIMS.		5/16" LAM. GLASS	
WIDTH	HEIGHT	EXT.(+)	INT.(-)
19-1/8"	26"	65.0	80.0
26-1/2"		65.0	80.0
37"		65.0	80.0
53-1/8"		65.0	80.0
19-1/8"	38-3/8"	65.0	80.0
26-1/2"		65.0	80.0
37"		65.0	80.0
53-1/8"		65.0	80.0
19-1/8"	50-5/8"	65.0	80.0
26-1/2"		65.0	80.0
37"		65.0	80.0
53-1/8"		65.0	80.0
19-1/8"	56"	65.0	80.0
26-1/2"		65.0	80.0
37"		65.0	80.0
53-1/8"		65.0	80.0
19-1/8"	63"	65.0	80.0
26-1/2"		65.0	80.0
37"		65.0	80.0
53-1/8"		65.0	80.0
19-1/8"	72"	65.0	80.0
26-1/2"		65.0	80.0
37"		65.0	80.0
53-1/8"		65.0	80.0
19-1/8"	76"	65.0	80.0
26-1/2"		65.0	80.0
37"		65.0	80.0
53-1/8"		65.0	80.0

DESIGN LOAD CAPACITY - PSF			
FRAME DIMS.		5/16" LAM. GLASS	
WIDTH	HEIGHT	EXT.(+)	INT.(-)
24"	36"	65.0	80.0
30"		65.0	80.0
36"		65.0	80.0
42"		65.0	80.0
48"	48"	65.0	80.0
24"		65.0	80.0
30"		65.0	80.0
36"		65.0	80.0
42"	60"	65.0	80.0
48"		65.0	80.0
24"		65.0	80.0
30"		65.0	80.0
36"	72"	65.0	80.0
42"		65.0	80.0
48"		65.0	80.0
24"		65.0	80.0
30"	78"	65.0	80.0
36"		65.0	80.0
42"		65.0	80.0
48"		65.0	80.0
24"	84"	65.0	80.0
30"		65.0	80.0
36"		65.0	80.0
42"		65.0	80.0
48"	65.0	80.0	



GLAZING DETAIL
5/16" OVERALL LAM. GLASS

NOTE:
GLASS CAPACITIES ON THIS SHEET ARE
BASED ON ASTM E1300-09 (3 SEC. GUSTS)
AND FLORIDA BUILDING COMMISSION
DECLARATORY STATEMENT DCA05-DEC-219



TYPICAL ELEVATION
TESTED UNIT

MG-350
ALUMINUM SINGLE HUNG WINDOW

DESIGN LOAD RATINGS FOR THESE WINDOWS TO BE AS PER CHARTS SHOWN ABOVE.

APPROVAL APPLIES TO SINGLE UNITS OR SIDE BY SIDE COMBINATIONS OF S.H./S.H. OR SINGLE HUNG WITH OTHER WINDOW TYPES IN MODULES OF TWO OR MORE WINDOWS USING F.B.C. APPROVED MULLIONS IN BETWEEN.

LOWER DESIGN PRESSURE FROM WINDOWS OR MULLION APPROVAL WILL APPLY TO ENTIRE SYSTEM.

THIS PRODUCT HAS BEEN DESIGNED AND TESTED TO COMPLY WITH THE REQUIREMENTS OF THE 2020 (7TH EDITION)/2023 (8TH EDITION) FLORIDA BUILDING CODE INCLUDING HIGH VELOCITY HURRICANE ZONE (HVHZ).

1BY OR 2BY WOOD BUCKS & BUCK FASTENERS BY OTHERS, MUST BE DESIGNED AND INSTALLED ADEQUATELY TO TRANSFER APPLIED PRODUCT LOADS TO THE BUILDING STRUCTURE.

ANCHORS SHALL BE CORROSION RESISTANT, SPACED AS SHOWN ON DETAILS AND INSTALLED PER MANUF'S INSTRUCTIONS. SPECIFIED EMBEDMENT TO BASE MATERIAL SHALL BE BEYOND WALL DRESSING OR STUCCO.

A LOAD DURATION INCREASE IS USED IN DESIGN OF ANCHORS INTO WOOD ONLY.

ALL SHIMS TO BE HIGH IMPACT, NON-METALLIC AND NON-COMPRESSIBLE.

MATERIALS INCLUDING BUT NOT LIMITED TO STEEL/METAL SCREWS, THAT COME INTO CONTACT WITH OTHER DISSIMILAR MATERIALS SHALL MEET THE REQUIREMENTS OF THE 2020/2023 FLORIDA BLDG. CODE & ADOPTED STANDARDS.

THIS PRODUCT APPROVAL IS GENERIC AND DOES NOT PROVIDE INFORMATION FOR A SITE SPECIFIC PROJECT, I.E. LIFE SAFETY OF THIS PRODUCT, ADEQUACY OF STRUCTURE RECEIVING THIS PRODUCT AND SEALING AROUND OPENING FOR WATER INFILTRATION RESISTANCE ETC.

CONDITIONS NOT SHOWN IN THIS DRAWING ARE TO BE ANALYZED SEPARATELY, AND TO BE REVIEWED BY BUILDING OFFICIAL.

DESIGN LOADS SHOWN ARE BASED ON 'ALLOWABLE STRESS DESIGN (ASD)'.

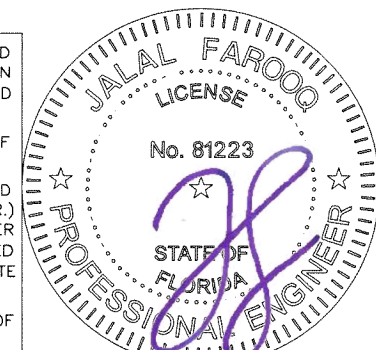
MANUFACTURER'S LABEL SHALL BE LOCATED ON A READILY VISIBLE LOCATION IN ACCORDANCE WITH SECTION 1709.9.3 OF FLORIDA BUILDING CODE. LABELING TO COMPLY WITH SECTION 1709.9.2.

THESE WINDOWS ARE RATED FOR LARGE & SMALL MISSILE IMPACT. SHUTTERS ARE NOT REQUIRED.

Sealed: 7/21/2023

FL #41887

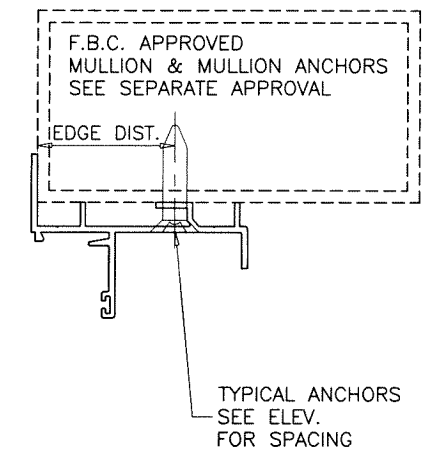
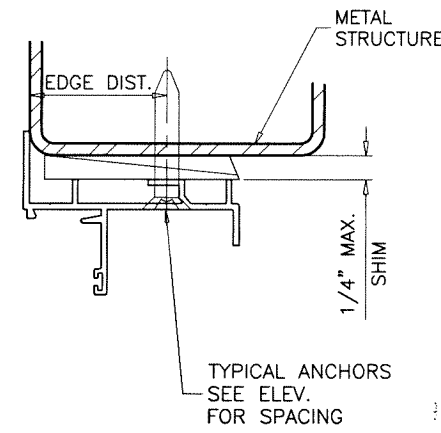
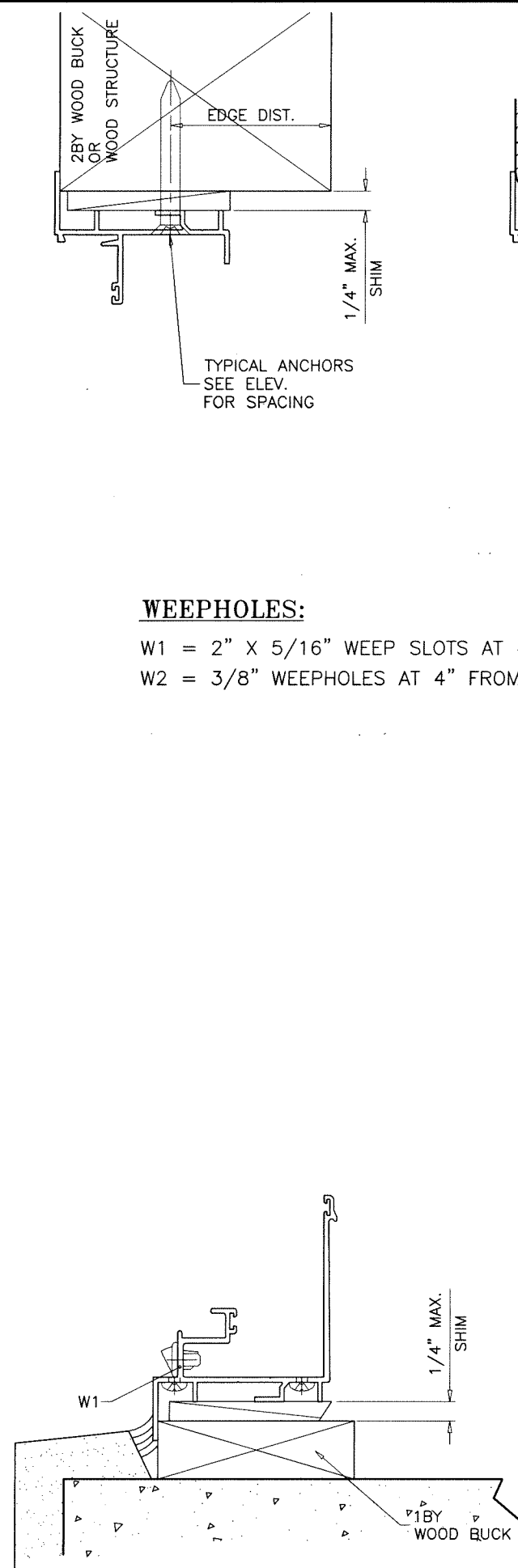
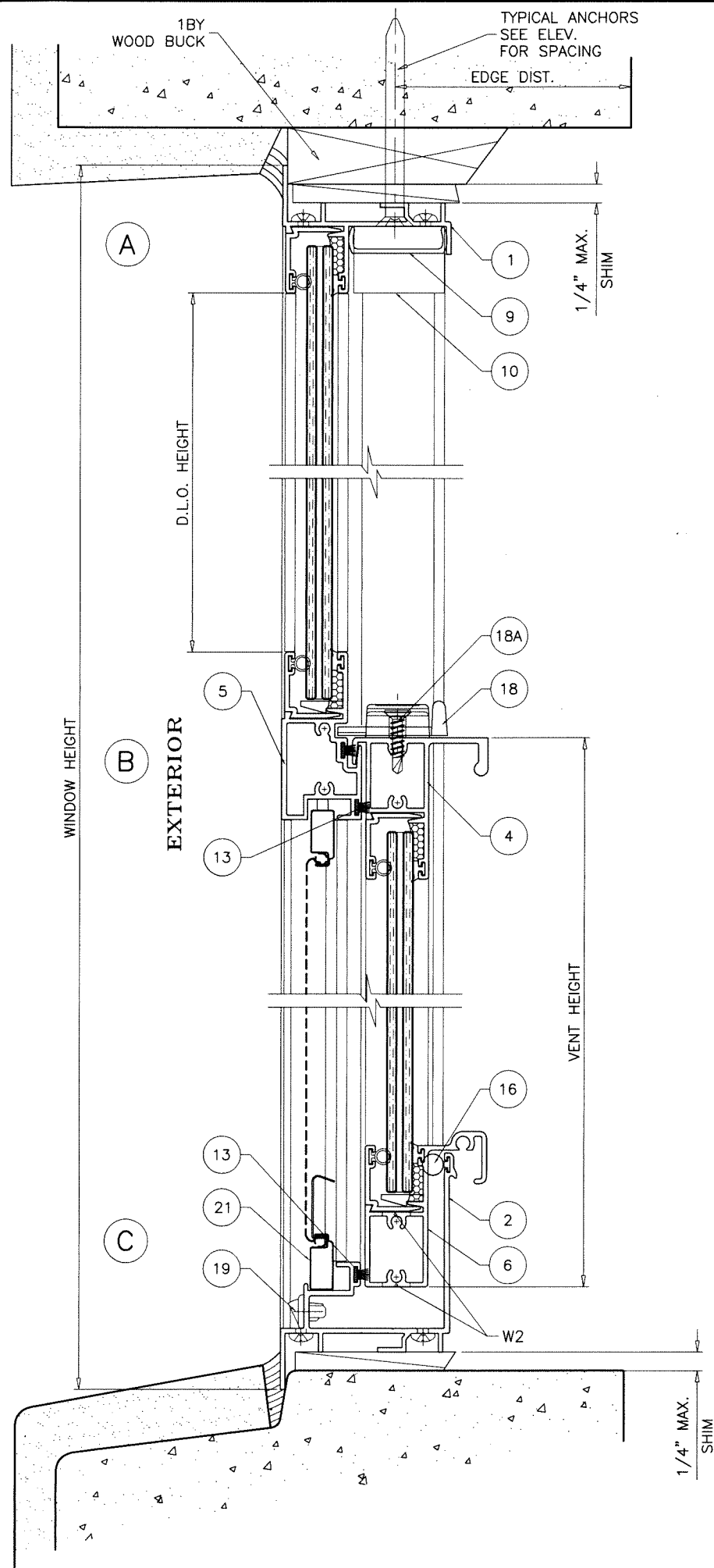
- A- CONTRACTOR TO BE RESPONSIBLE FOR THE SELECTION, PURCHASE AND INSTALLATION OF THIS PRODUCT BASED ON THIS PRODUCT EVALUATION PROVIDED HE/SHE DOES NOT DEVIATE FROM THE CONDITIONS DETAILED ON THIS DOCUMENT.
- B- THIS PRODUCT EVALUATION DOCUMENT WILL BE CONSIDERED INVALID IF ALTERED BY ANY MEANS.
- C- SITE SPECIFIC PROJECTS SHALL BE PREPARED BY A FLORIDA REGISTERED ENGINEER OR ARCHITECT WHICH WILL BECOME THE ENGINEER OF RECORD (E.O.R.) FOR THE PROJECT AND WHO WILL BE RESPONSIBLE FOR THE PROPER USE OF THE P.E.D. ENGINEER OF RECORD, ACTING AS A DELEGATED ENGINEER TO THE P.E.D. ENGINEER SHALL SUBMIT TO THIS LATTER THE SITE SPECIFIC DRAWINGS FOR REVIEW.
- D- THIS P.E.D. SHALL BEAR THE DATE AND ORIGINAL SEAL AND SIGNATURE OF THE PROFESSIONAL ENGINEER OF RECORD THAT PREPARED IT.



af c
AL-FAROOQ CORPORATION
ENGINEERS & PRODUCT DEVELOPMENT
9360 SUNSET DRIVE, SUITE 220
MIAMI, FLORIDA 33173
TEL. (305) 264-8100
WWW.AFCENG.COM
FBPE #3538
COMP-ANL\23-02F-MG

MG-350 ALUMINUM SINGLE HUNG WDW. (L.M.I.)
MR-GLASS DOORS & WINDOWS MANUFACTURING, LLC
8051 N.W. 79th Place
Medley, FL. 33166
Tel. (305) 764-3963
www.mrglasswindows.com

revisions:	no	date	by	description
	A	07.18.23		UPDATED TO 2023 FBC
date:	01-09-23			
scale:	1/2" = 1'-0"			
dr. by:	TARIQ			
chk. by:				
drawing no.	23-02F			
sheet	1 of 5			



WOOD BUCKS AND METAL STRUCTURE NOT BY 'MR-GLASS' MUST SUSTAIN LOADS IMPOSED BY GLAZING SYSTEM AND TRANSFER THEM TO THE BUILDING STRUCTURE.

WEEPHOLES:

- W1 = 2" X 5/16" WEEP SLOTS AT 4" FROM EACH END
- W2 = 3/8" WEEPHOLES AT 4" FROM EACH END

TYPICAL ANCHORS: SEE ELEV. FOR SPACING

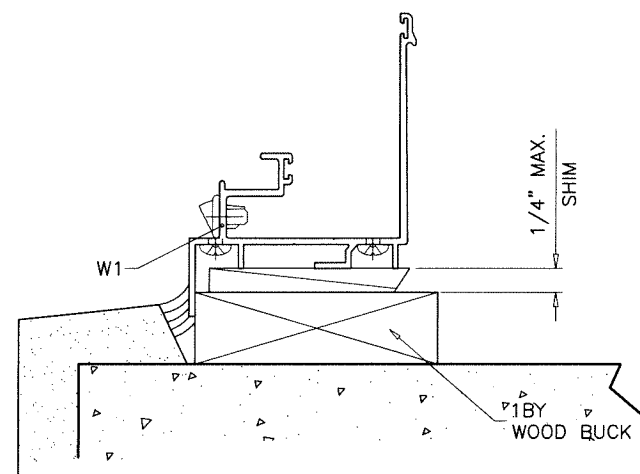
- 1/4" DIA. ULTRACON+ BY 'DEWALT'** (Fu=164 KSI, Fy=148 KSI)
 - INTO 2BY WOOD BUCKS OR WOOD STRUCTURES
 - 1-1/2" MIN. PENETRATION INTO WOOD (HEAD/JAMBS)
 - THRU 1BY BUCKS INTO CONC. OR BLOCKS
 - 1-1/4" MIN. EMBED INTO CONCRETE (HEAD/JAMBS)
 - 1-1/4" MIN. EMBED INTO BLOCKS (JAMBS)
- DIRECTLY INTO CONCRETE OR BLOCKS
 - 1-1/4" MIN. EMBED INTO CONCRETE (HEAD/JAMBS)
 - 1-1/4" MIN. EMBED INTO BLOCKS (JAMBS)

- #14 SMS OR SELF-DRILLING SCREWS** (GRADE 2 CRS)
 - INTO F.B.C. APPROVED MULLIONS
 - OR
 - INTO METAL STRUCTURES (HEAD/JAMBS)
 - (3) THREADS MIN. TO EXTEND BEYOND METAL THICKNESS
 - ALUMINUM: 1/8" THK. MIN. (6063-T5 MIN.)
 - STEEL: 1/8" THK. MIN. (Fy = 36 KSI MIN.)
 - (STEEL IN CONTACT WITH ALUMINUM TO BE PLATED OR PAINTED)

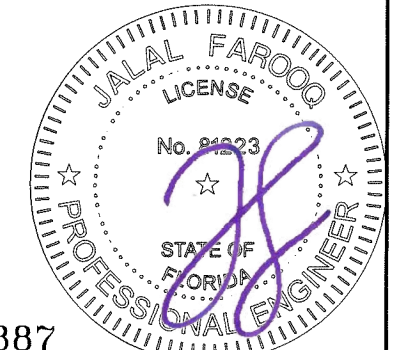
CRITICAL EDGE DISTANCE

- INTO CONCRETE AND BLOCKS = 2-1/2" MIN.
- INTO WOOD STRUCTURE = 1" MIN.
- INTO METAL STRUCTURE = 3/4" MIN.

- WOOD AT HEAD, SILL OR JAMBS SG = 0.55 MIN.
- CONCRETE AT HEAD, SILL OR JAMBS f'c = 3000 PSI MIN.
- C-90 HOLLOW/FILLED BLOCK AT JAMBS f'm = 2000 PSI MIN.



Sealed: 7/21/2023



FL #41887

afc

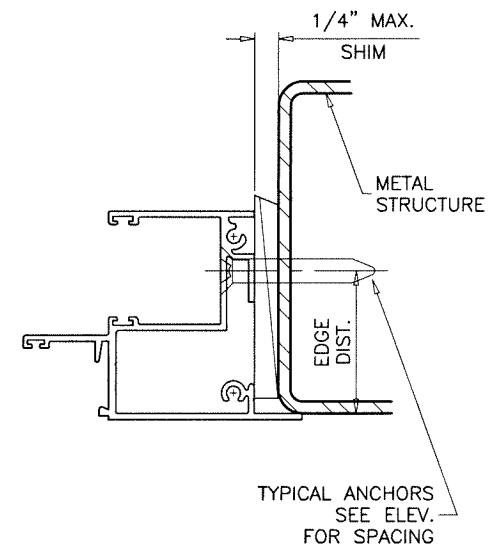
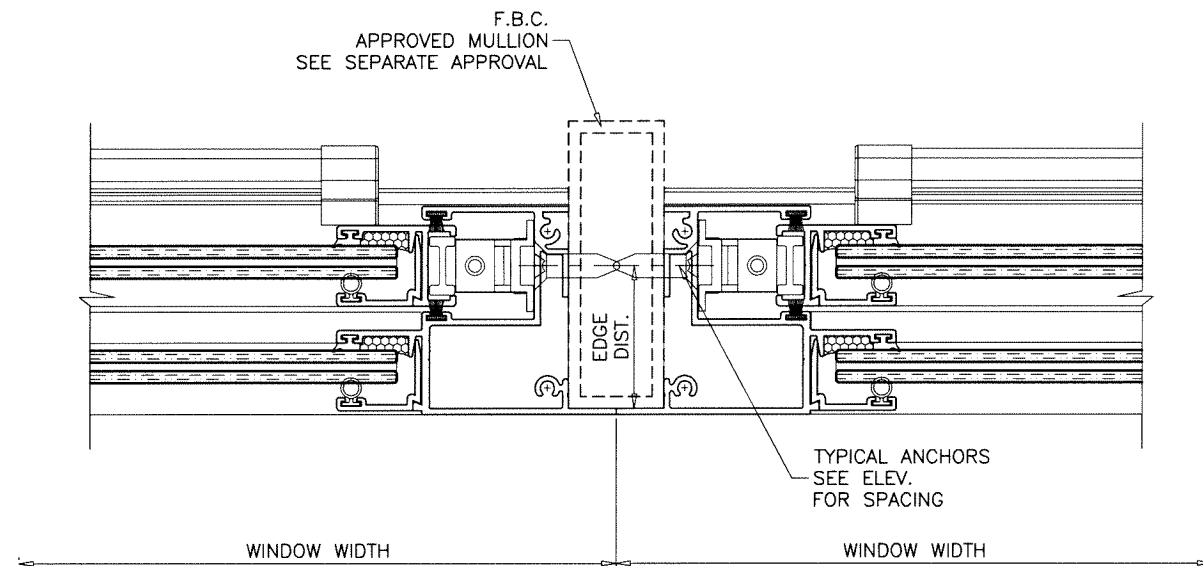
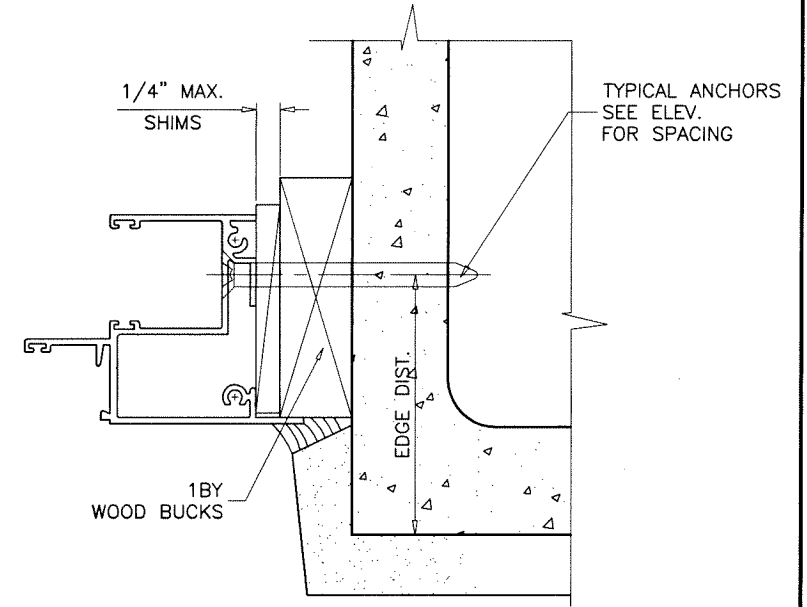
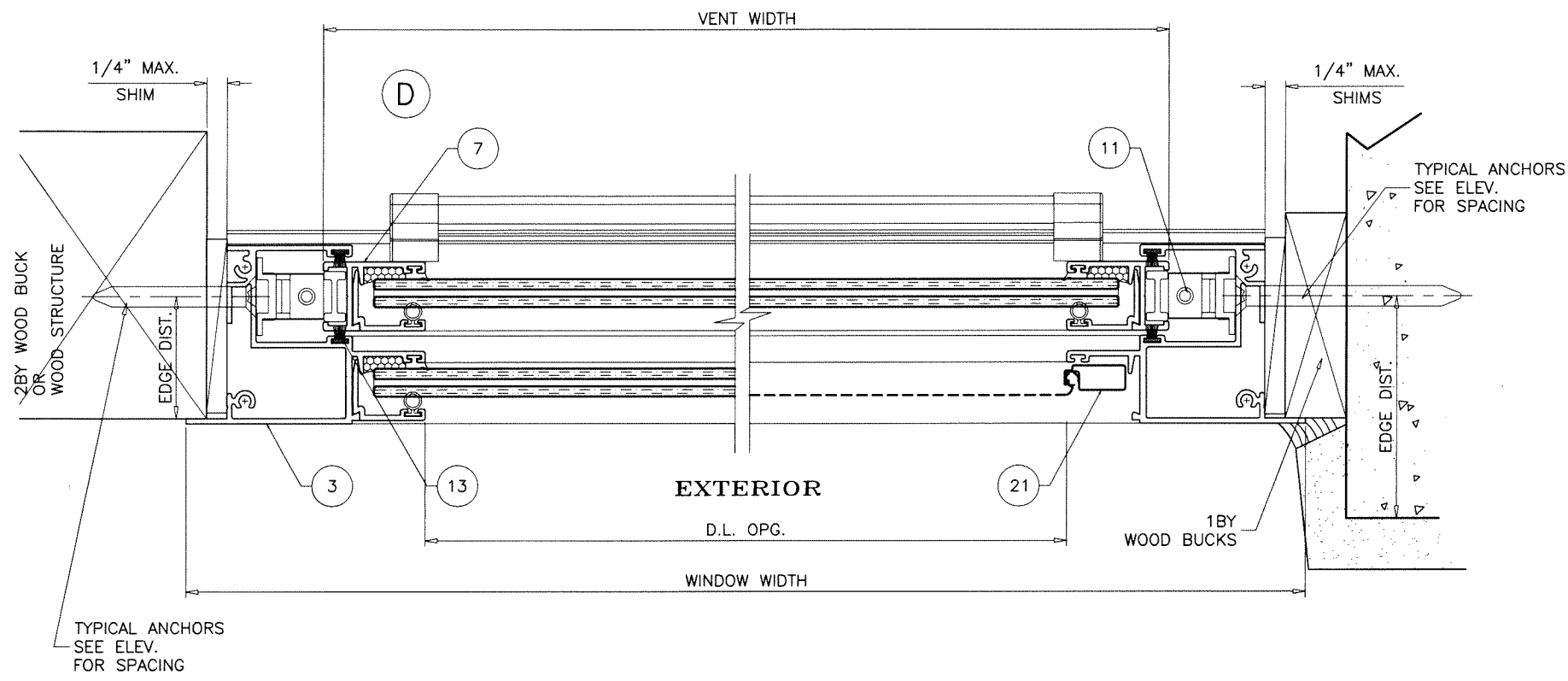
AL-FAROOQ CORPORATION
 ENGINEERS & PRODUCT DEVELOPMENT
 9360 SUNSET DRIVE, SUITE 220
 MIAMI, FLORIDA 33173
 TEL. (305) 264-8100
 WWW.AFCENG.COM
 COMP-ANL \23-02F-MG

MG-350 ALUMINUM SINGLE HUNG WDW. (L.M.I.)
 MR-GLASS DOORS & WINDOWS MANUFACTURING, LLC
 8051 N.W. 79th Place
 Medley, FL. 33166
 Tel. (305) 764-3963
 www.mrglasswindows.com

revisions:	no	date	by	description

date: 01-09-23
 scale: 1/2" = 1"
 dr. by: TARIQ
 chk. by:

drawing no.
23-02F
 sheet 2 of 5



af c
AL-FAROOQ CORPORATION
 ENGINEERS & PRODUCT DEVELOPMENT
 9360 SUNSET DRIVE, SUITE 220
 MIAMI, FLORIDA 33173
 TEL. (305) 264-8100
 WWW.AFCENG.COM
 FBPE #3558
 COMP-ANL\23-02F-MG

MG-350 ALUMINUM SINGLE HUNG WDW. (L.M.I.)
 MR-GLASS DOORS & WINDOWS MANUFACTURING, LLC
 8051 N.W. 79th Place
 Medley, FL. 33166
 Tel. (305) 764-3963
 www.mrglasswindows.com

revisions:	no	date	by	description

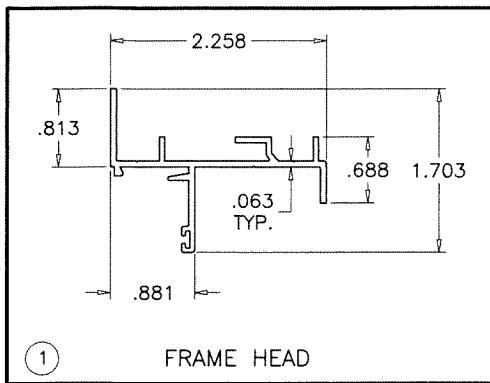
date: 01-09-23
 scale: 1/2" = 1"
 dr. by: TARIQ
 chk. by:

drawing no.
23-02F
 sheet 3 of 5

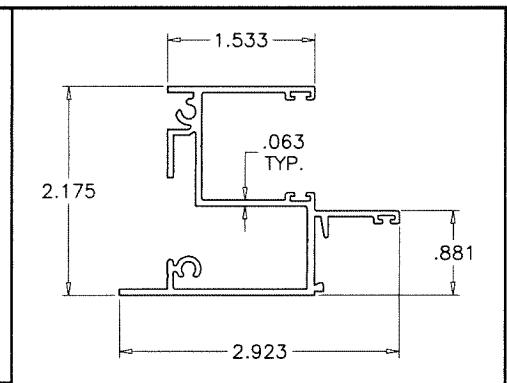
Sealed: 7/21/2023



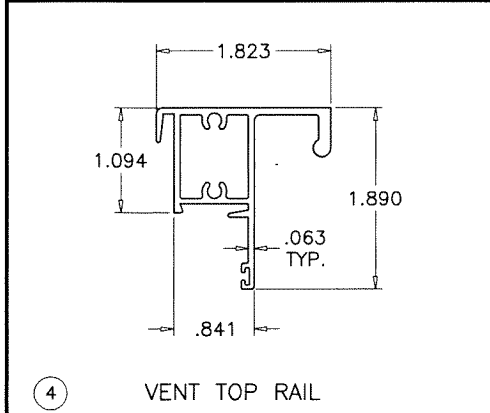
FL #41887



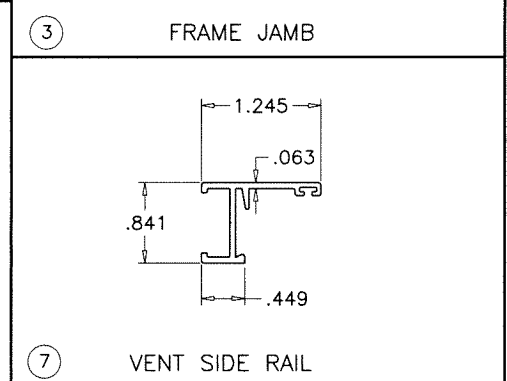
① FRAME HEAD



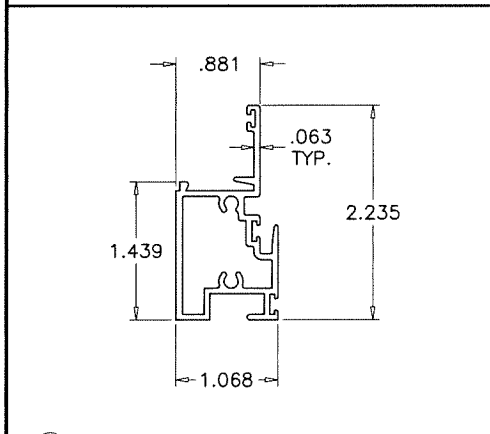
③ FRAME JAMB



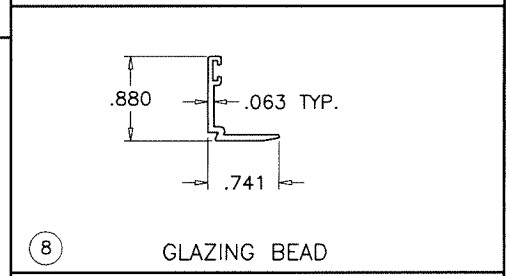
④ VENT TOP RAIL



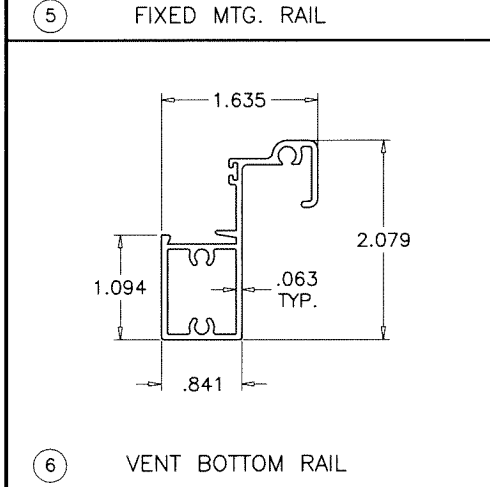
⑦ VENT SIDE RAIL



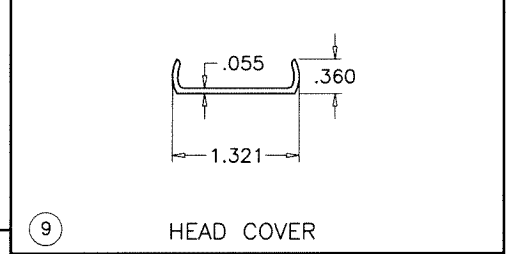
⑤ FIXED MTG. RAIL



⑧ GLAZING BEAD



⑥ VENT BOTTOM RAIL



⑨ HEAD COVER

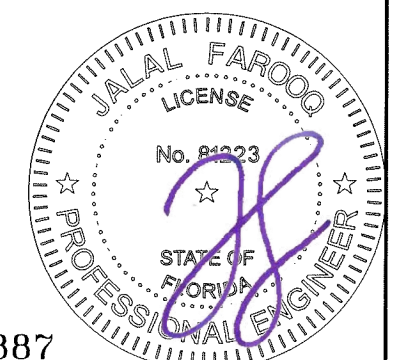


② FRAME SILL

ITEM	PART #	QUANTITY	DESCRIPTION	MATERIAL	MANF./SUPPLIER/REMARKS
1	E-354	1	FRAME HEAD	6063-T6	-
2	E-353	2	FRAME SILL	6063-T6	-
3	E-352	2	FRAME JAMB	6063-T6	-
4	E-357	1/ VENT	VENT TOP RAIL	6063-T6	-
5	E-355	1	FIXED MTG. RAIL	6063-T6	-
6	E-358	1/ VENT	VENT BOTTOM RAIL	6063-T6	-
7	E-356	2/ VENT	VENT SIDE RAIL	6063-T6	-
8	E-361	AS REQD.	GLAZING BEAD	6063-T6	-
9	E-365	AS REQD.	HEAD COVER	6063-T5	-
10	E-366	AS REQD.	VENT STOP	6063-T5	-
11	-	2/ VENT	BLOCK & TACKLE BALANCE	-	-
12	#8 X 1-1/2"	AS REQD.	FRAME/VENT ASSEMBLY SCREWS	ST. STEEL	PH SMS
13	G35-01	AS REQD.	FIN SEAL W'STRIPPING (.19 X .187)	-	ULTRAFAB
14	G20-07	AS REQD.	EXTERIOR GLAZING GASKET	NEOPRENE	ULTRAFAB
15	G25-01	AS REQD.	INTERIOR GLAZING GASKET	NEOPRENE	CPI
16	G25-03	AS REQD.	SILL W'STRIPPING	VINYL/FOAM	AMESBURY
17	G35-02	AS REQD.	SETTING BLOCKS, AT 1/4 POINTS	EPDM	DUROMETER 80±5 SHORE A
18	L2-01	2/ VENT	SWEEP LATCH, AT 9" FROM EACH END	ZAMAK	SULLIVAN & ASSOC.
18A	#8 X 1"	2/ LATCH	LATCH INST. SCREW	ST. STEEL	FH SMS
19	G2-01	2/ WDW.	HI-FLOW WEEPER	-	PREFERRED ENGINEERING PRODUCTS
20	-	2/ VENT	VENT GUIDE	-	IDH
21	-	1/ VENT	5/16" BOX SCREEN	-	OPTIONAL
22	-	-	-	-	-

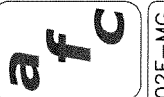
SEALANTS:

ALL FRAME AND VENT CORNERS AND FIXED MEETING RAIL AT EACH END SEALED WITH ALUMINUM COLORED SEALANT.



Sealed: 7/21/2023

FL #41887

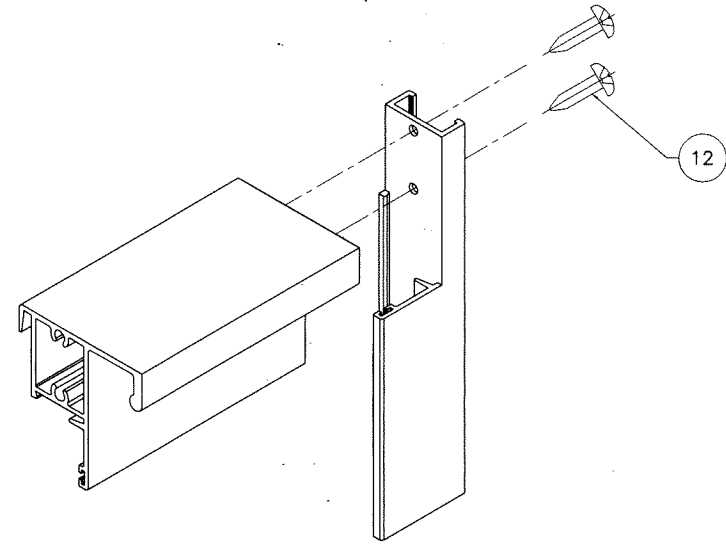


AL-FAROOQ CORPORATION
 ENGINEERS & PRODUCT DEVELOPMENT
 9360 SUNSET DRIVE, SUITE 220
 MIAMI, FLORIDA 33173
 TEL. (305) 264-8100
 WWW.AFCENG.COM
 FBPE #8538
 COMP-ANL\23-02F-MG

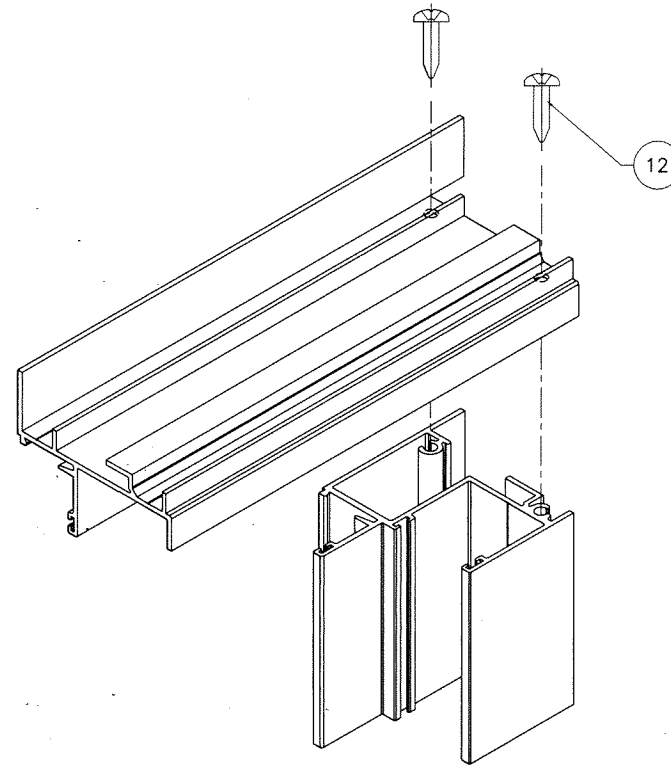
MG-350 ALUMINUM SINGLE HUNG WDW. (L.M.I.)
MR-GLASS DOORS & WINDOWS MANUFACTURING, LLC
 8051 N.W. 79th Place
 Medley, FL. 33166
 Tel. (305) 764-3963
 www.mrglasswindows.com

revisions:	no	date	by	description

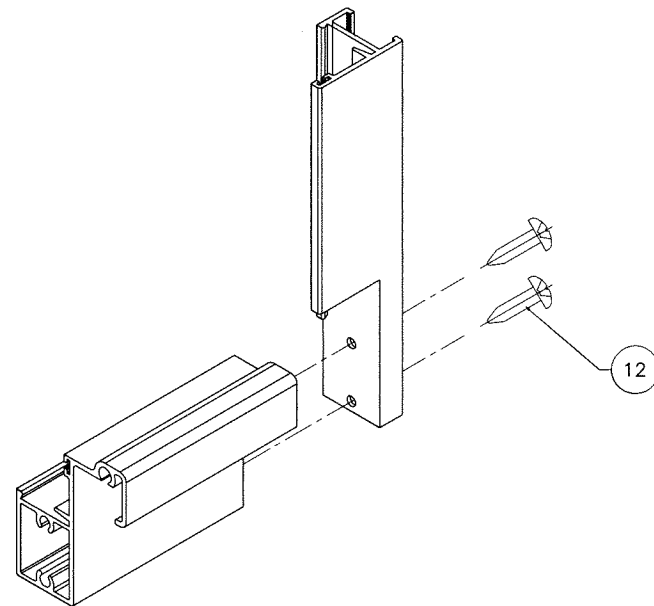
date: 01-09-23	scale: 1/2" = 1"	dr. by: TARIQ	chk. by:
drawing no. 23-02F			
sheet 4 of 5			



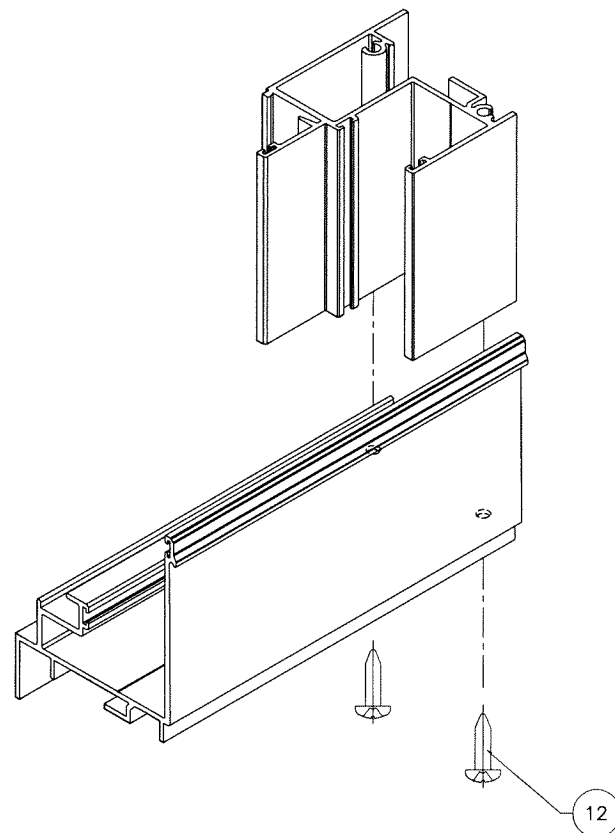
VENT TOP CORNER



FRAME TOP CORNER

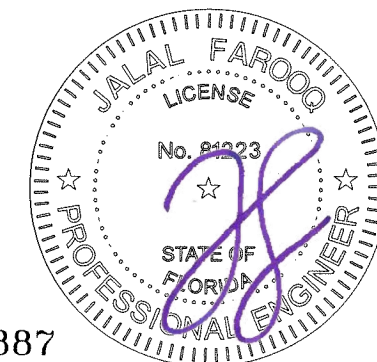


VENT BOTTOM CORNER

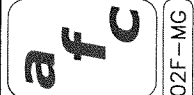


FRAME BOTTOM CORNER

Sealed: 7/21/2023



FL #41887



AL-FAROOQ CORPORATION
 ENGINEERS & PRODUCT DEVELOPMENT
 9360 SUNSET DRIVE, SUITE 220
 MIAMI, FLORIDA 33173
 TEL. (305) 264-8100
 WWW.AFCENG.COM
 FBPE #3538
 COMP-ANL\23-02F-MG

MG-350 ALUMINUM SINGLE HUNG WDW. (L.M.I.)
MR-GLASS DOORS & WINDOWS MANUFACTURING, LLC
 8051 N.W. 79th Place
 Medley, FL. 33166
 Tel. (305) 764-3963
 www.mrglasswindows.com

revisions:	
no	date by description

date: 01-09-23
 scale: 1/2" = 1"
 dr. by: TARIQ
 chk. by:

drawing no.
23-02F
 sheet 5 of 5